

water in motion

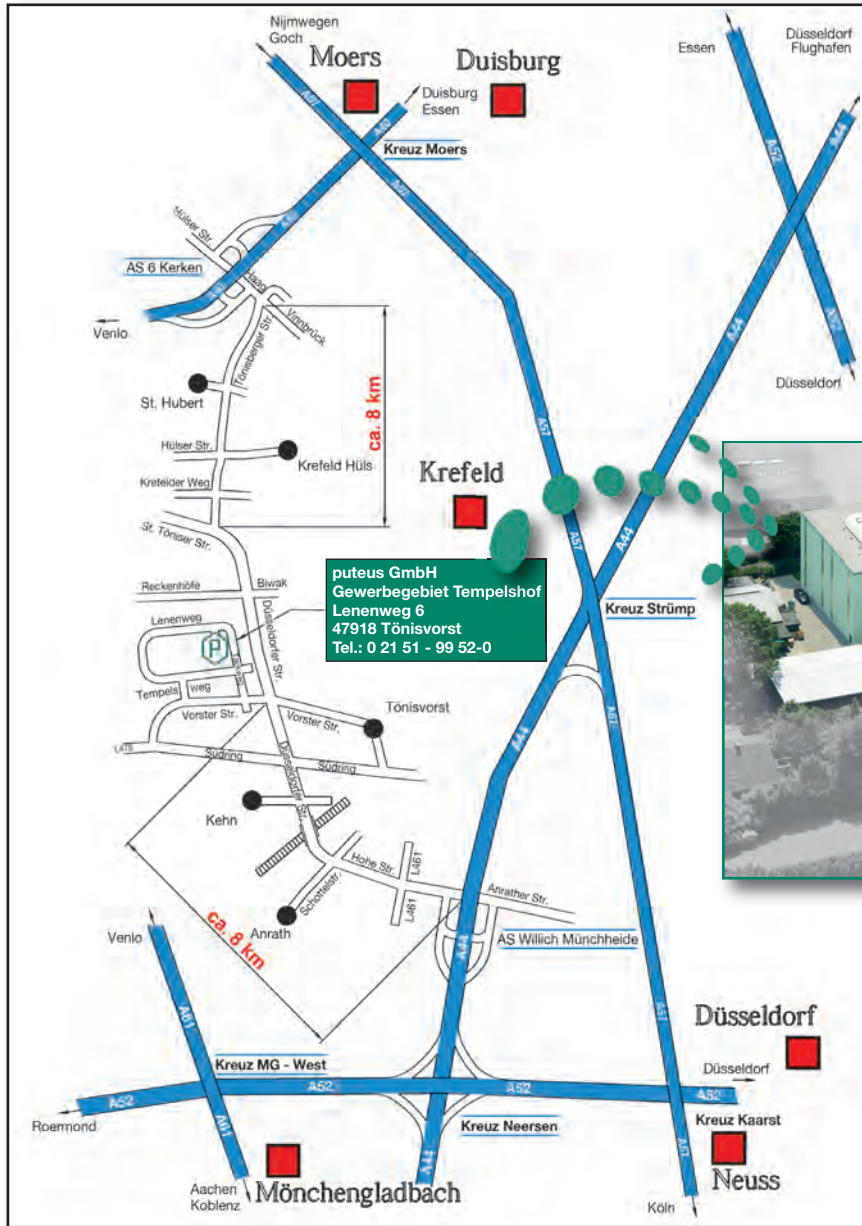


2 kitchen + bathroom Faucets





How to find us?

How to reach us?

Phone: +49-(0) 2151-9952-0 • Fax: +49-(0)2151-9952-99 • e-mail: info@puteus.de



Distance Tönisvorst – airport

-  Düsseldorf 34 km
-  Weeze 66 km
-  Köln/Bonn 71 km
-  Dortmund 91 km

Contact:

Prefix:
+49(0)2151...

Phone

Fax

E-Mail

Management

Hans de Gruyter
Purchasing/Finance

9952-22

9952-25

h-degruyter@puteus.de

Peter de Gruyter
Distribution

9952-42

9952-45

p-degruyter@puteus.de

Management Assistance

9952-42

9952-45

b-brender@puteus.de

Sales Manager

9952-50

9952-55

verkauf@puteus.de

Sales Department, Germany

9952-52

9952-55

verkauf@puteus.de

Sales Department, Export

9952-60

9952-55

export@puteus.de

Customer Service and order processing

9952-12

9952-15

vertrieb@puteus.de

Accounting Department

9952-22

9952-24

finanzen@puteus.de

Import/Export customs clearance

9952-23

9952-24

finanzen@puteus.de

Puteus GmbH, a manufacturing and distributing company, was founded in 1979 by the parents of the present share holders. Puteus experienced a rapid development - from a supplier for products of the gardening and irrigation sector to a large range of the heating, plumbing- and garden components.



The company is based in Tönisvorst



The high-bay warehouse

Our modern warehouse with a capacity of 10.000 pallets and a picking area for further 3.000 pallets allows short delivery times.

In addition to our standard product range we also design and manufacture lots of OEM products for the sanitary and heating industries in production sites spread all over the world. Many of our products meet the different requirements and regulations, e.g. DVGW, PA-certificates, KIWA, ACS or SVGW.



Whether the customer orders full pallet units ...



...we supply individually and promptly.

Qualified employees in all areas of the company use their skills to satisfy your individual needs – from the standard fitting to the construction of customer-specific items.

In our German production sites we own different production lines, electroplating and modern robot plants, tool- and mould making as well as turnery and metal-work departments.



...or wishes smaller packing units ...

The owner-managed family company **puteus GmbH** was the starting point for a group of companies of, today, about 250 employees. It has set itself the target of combining optimal quality and service and -at the same time- responding flexibly and promptly to the changes in the market. We are distinguished both by continuous development of knowledge and quality improvements of our products that are in the interest of our customers as well as commitment and curiosity for what is new and feasible.



Ready for shipment.

These following companies also belong to the de Gruyter-Stach-Group



► **Schlösser Armaturen GmbH & Co. KG**

Im Dohm 3 | D-57462 Olpe
 Phone: +49-27 61-607-0 | Fax: +49-27 61-607-10
 E-Mail: info@schloesser-armaturen.de

Commercial register entry:
 AG Siegen | HRA 8076 | UST-IDNR DE 814 779 086 | Sitz Olpe
 CEO: Henning de Gruyter | Olaf Stach

**Water and heating connection valves
 bib taps · appliance connection fittings
 heating fittings · water meters
 state-certified calibration unit for water meters**



► **Heinrich Schulte GmbH & Co. KG**

Grünlandweg 11 | D-58640 Iserlohn
 Phone: +49-23 71-90 90-0 | Fax: +49-23 71-90 90-99
 E-Mail: info@heinrichschulte.com

Commercial register entry:
 AG Iserlohn | HRA 2276
 UST-IDNR DE 233 202 839 | Sitz Iserlohn
 CEO: Henning de Gruyter | Olaf Stach

Exclusive sanitary taps and mixers



► **Heinrich Schulte GmbH & Co. KG**

Giesestrasse 30 | D-58636 Iserlohn
 Phone: +49-23 71-90 90-0 | Fax: +49-23 71-90 90-99
 E-Mail: info@heinrichschulte.com

Commercial register entry:
 AG Iserlohn | HRA 2276
 UST-IDNR DE 233 202 839 | Sitz Iserlohn
 CEO: Henning de Gruyter | Olaf Stach

Exclusive sanitary taps and mixers



2



Contents

Kitchen faucets

Page 07



Wall-hanging kitchen faucets

Page 17



Spouts + aerators

Page 20



Dish rinser + accessories

Page 23



Contents

Bath

Pillar taps

Page 29



Bathroom fittings

Page 32



Siphons + other accessories

Page 37



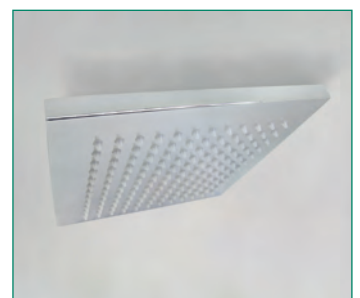
Hand showers

Page 47



Head showers

Page 53



Contents

Shower arms

Page 57



Shower accessories

Page 60



Shower hoses

Page 65



Wall bars + shower sets

Page 67



Soap baskets

Page 75



Kitchen

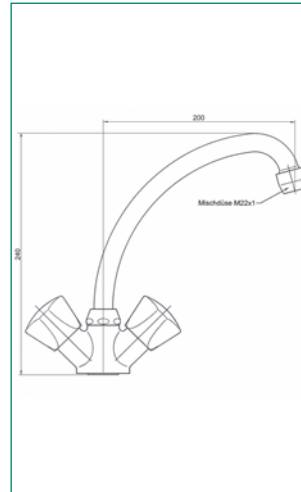


Kitchen faucets

Standard kitchen tap

Triangular handle (Zamac) with swivel spout 200 mm, chrome plated, flexible connection hoses 50 cm

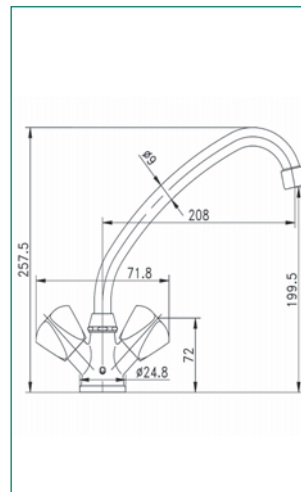
Item-No.:	Version:	Packing unit:
80130 3		1/ 8
52412 7	Triangular handle, loose, blue mark	1/80
52413 4	Triangular handle, loose, red mark	1/80



Standard kitchen tap, low pressure

Triangular handle (Zamac) with swivel spout 200 mm, chrome plated, flexible connection hoses 2 x 50 cm, 1 x 35 cm

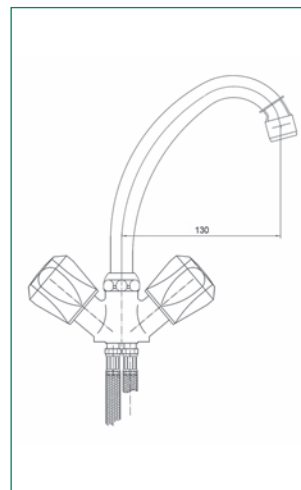
Item-No.:	Version:	Packing unit:
80132 7		1/16



Acrylic handle with swivel spout 200 mm, chrome plated, flexible connection hoses 50 cm

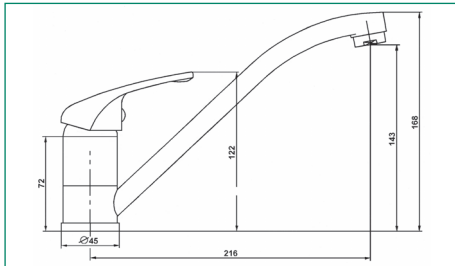
Item-No.:	Version:	Packing unit:
80230 0		1/16
80272-Griff	Acrylic handle loose, blue mark, with screw and engaging socket	
80273-Griff	Acrylic handle loose, red mark, with screw and engaging socket	
80272 0	Acrylic handle loose, blue mark, with upper valve part with grease chamber	10/160
80273 7	Acrylic handle loose, red mark, with upper valve part with grease chamber	10/160

Standard Plus kitchen tap



Kitchen faucets

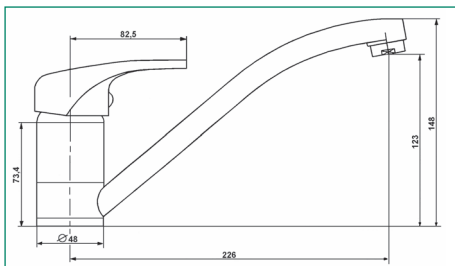
PICCOLO single-lever mixer



With swivel spout 200 mm, flexible connection hoses 50 cm, low-noise cartridge \varnothing 35 mm

Item-No.:	Version:	Packing unit:
80080 1		1/10
80901 9	Spare cartridge \varnothing 35 mm	

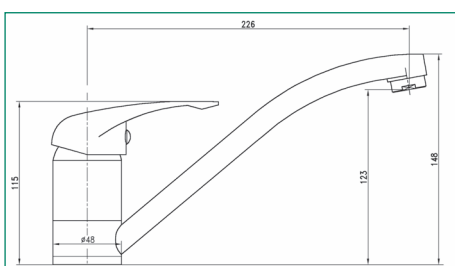
MIX single-lever mixer



With swivel spout 200 mm, flexible connection hoses 50 cm, low-noise cartridge \varnothing 40 mm

Item-No.:	Version:	Packing unit:
80580 6	chrome plated	1/10
80903 3	Spare cartridge \varnothing 40 mm	1/20

MIX single-lever mixer, low pressure



With swivel spout 200 mm, flexible connection hoses 2 x 50 cm, 1 x 35 cm, low-noise cartridge \varnothing 40 mm

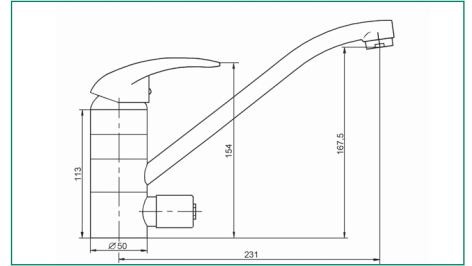
Item-No.:	Version:	Packing unit:
80520 2	chrome plated	1/10
80903 3	Spare cartridge \varnothing 40 mm	1/20

Kitchen faucets

MIX single-lever mixer with device connection

With swivel spout 200 mm, flexible connection hoses 50 cm, adaptable machine connection, low-noise cartridge \varnothing 40 mm

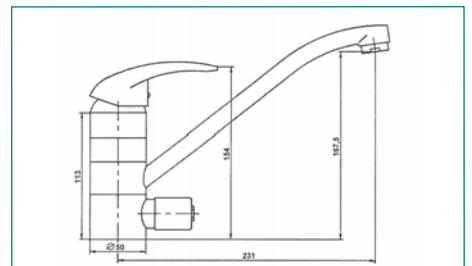
Item-No.:	Version:	Packing unit:
80530 1	chrome plated	1/10
80903 3	Spare cartridge \varnothing 40 mm	1/20



MIX single-lever mixer with device connection, low pressure

With swivel spout 200 mm, flexible connection hoses 2 x 50 cm, 1 x 35 cm, adaptable machine connection, low-noise cartridge \varnothing 40 mm

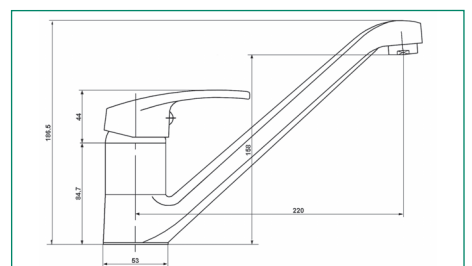
Item-No.:	Version:	Packing unit:
80535 6	chrome plated	1/10
80903 3	Spare cartridge \varnothing 40 mm	1/20



MIX single-lever mixer with cast outlet

With swing **cast outlet** 200 mm, flexible connection hoses 50 cm, low-noise cartridge \varnothing 40 mm

Item-No.:	Version:	Packing unit:
80542 4	Stainless steel look	1/10
80903 3	Spare cartridge \varnothing 40 mm	1/20



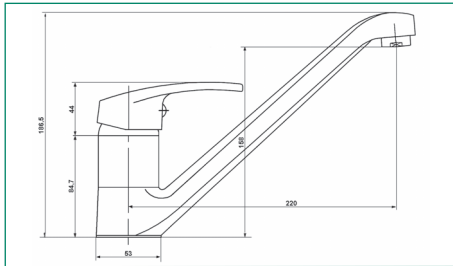
Kitchen faucets

MIX single-lever mixer with cast outlet, low pressure



With swing cast outlet 200 mm of discharge, flexible connection hoses, 2 x 50 cm, 1 x 35 cm, low-noise cartridge Ø 40 mm

Item-No.:	Version:	Packing unit:
80545 5	chrome plated	1/10
80903 3	Spare cartridge Ø 40 mm	1/20

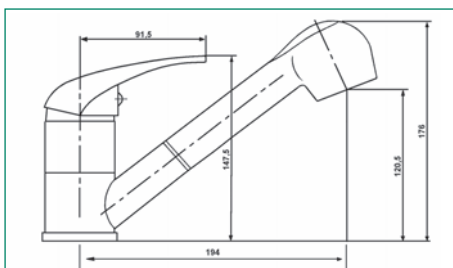


MIX single-lever mixer



Tiltable, with dual spray pull-out, aerator and jet function, flexible connection hoses 50 cm, low-noise cartridge Ø 40 mm

Item-No.:	Version:	Packing unit:
80590 5	chrome plated	1/ 10
83812 5	Dish rinser	1/100
83659 6	Plastic replacement hose	1/ 50
83658 9	Double-agraffe shower hose	
80903 3	Spare cartridge Ø 40 mm	1/ 20

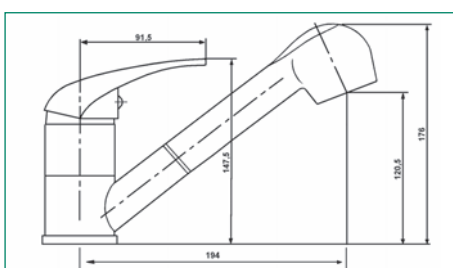


MIX single-lever mixer, low pressure



With dual spray pull-out, aerator and jet function, flexible connection hoses 2 x 50 cm, 1 x 35 cm, low-noise cartridge Ø 40 mm

Item-No.:	Version:	Packing unit:
80596 7	chrome plated	1/ 10
83814 9	Dish rinser	1/ 10
83659 6	Plastic replacement hose	1/ 50
83658 9	Double-agraffe shower hose	
80903 3	Spare cartridge Ø 40 mm	1/250

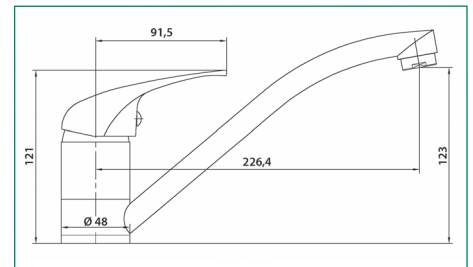


Kitchen faucets

MIX II single-lever mixer, low pressure

Flexible hoses 50 cm, single-lever mixers, low-noise cartridge Ø 40 mm

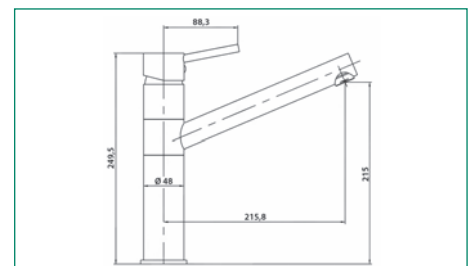
Item-No.:	Version:	Packing unit:
80720 6	chrome plated	1/10
80903 3	Spare cartridge Ø 40 mm	1/20



With swivel spout 200 mm, flexible connection hoses 50 cm, 1 x 35 cm, low-noise cartridge Ø 40 mm

Item-No.:	Version:	Packing unit:
81885 1	chrome plated	1/10
80903 3	Spare cartridge Ø 40 mm	1/20

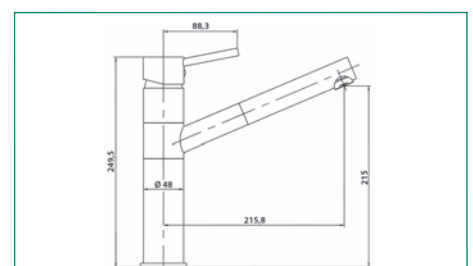
STYLIST single-lever mixer



STYLIST single-lever mixer with integrated pull-out

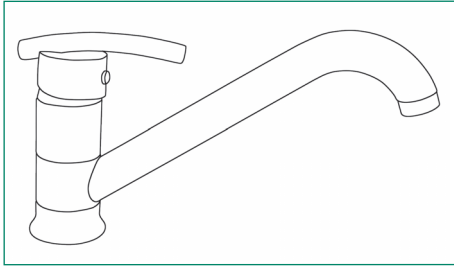
With swivel spout 200 mm, with one jet pull-out, flexible connection hoses, 50 cm, low-noise cartridge Ø 40 mm

Item-No.:	Version:	Packing unit:
81886 8	chrome plated	1/10
80903 3	Spare cartridge Ø 40 mm	1/20



Kitchen faucets

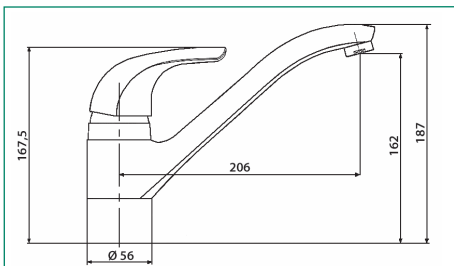
VIVIAN single-lever mixer



With swivel spout 200 mm, flexible connection hoses 50 cm, low-noise cartridge \varnothing 40 mm

Item-No.:	Version:	Packing unit:
81997 0	chrome plated	1/ 10
80903 3	Spare cartridge \varnothing 40 mm	1/20

ROYAL single-lever mixer design cast outlet



With swivel spout 200 mm, flexible connection hoses 50 cm, low-noise cartridge \varnothing 40 mm

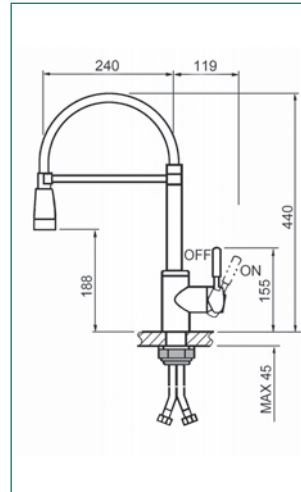
Item-No.:	Version:	Packing unit:
82581 1	chrome plated	1/ 10
82591 0	as above, but with extractable hand shower	
80903 3	Spare cartridge \varnothing 40 mm	1/20

Kitchen armatures

STYLE PLUS

Chrome plated, stainless steel spring, not extractable, low-noise cartridge Ø 40 mm

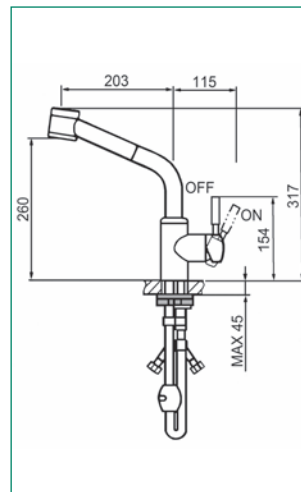
Item-No.:	Version:	Packing unit:
82832 4	chrome plated	1/10
80912 5	Spare cartridge Ø 40 mm	-/-



STYLE PLUS

With spray pull-out, aerator and jet function, flexible connection hoses 50 cm, low-noise cartridge Ø 40 mm

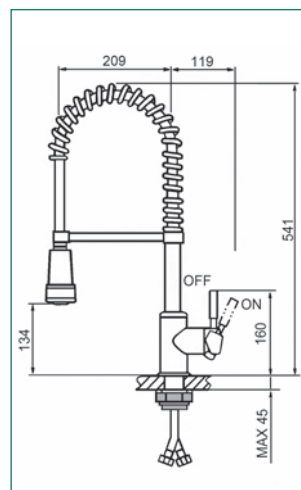
Item-No.:	Version:	Packing unit:
82835 5	chrome plated	1/10
80911 8	Spare cartridge Ø 40 mm	-/-
83712 8	Spare dish rinser	1/50
83659 6	Spare rinser hose	1/50



STYLE PLUS

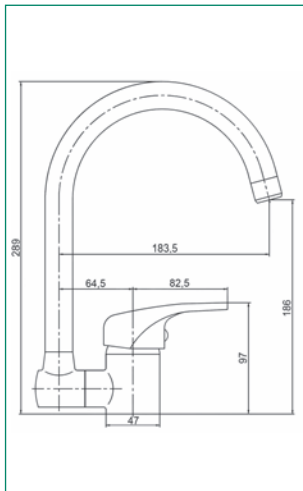
With extra-high stainless steel spring with, dual spray pull-out, aerator and jet function, not pullable out, flexible connection hoses 50 cm, low-noise cartridge Ø 40 mm

Item-No.:	Version:	Packing unit:
82836 2	chrome plated	1/ 10
80912 5	Spare cartridge Ø 40 mm	-/-
83706 7	Spare dish rinser	1/100



Kitchen faucets

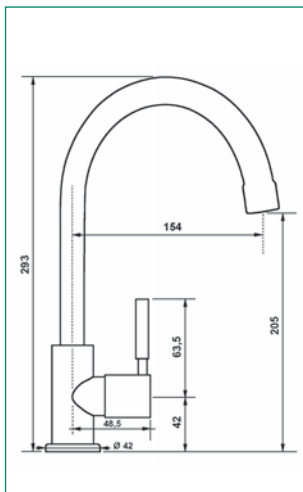
Universal single-lever mixer



For sub-window installation, foldable swivel spout, flexible connection hoses 50 cm, noiseless cartouche Ø 40 mm

Item-No.:	Version:	Packing unit:
82950 5	chrome plated	1/10
80903 3	Spare cartridge Ø 40 mm	1/20

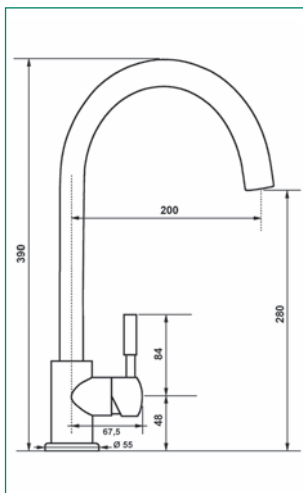
Single-lever mixer



Stainless steel, pipe spout 1/2" x 160 mm

Item-No.:	Version:	Packing unit:
80106 8	Stainless steel	1/-

Single-lever mixer



Stainless steel, hoses 50 cm, outlet 200 mm

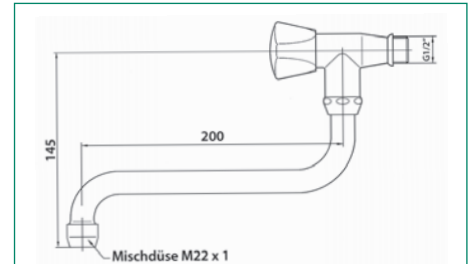
Item-No.:	Version:	Packing unit:
82821 8	Stainless steel	1/10
80901 9	Replacement cartridge Ø 40 mm	-/-

Wall-mounted kitchen faucets

Wall-mounted faucet with swivel spout 1/2"

Triangular handle (Zamac) with S-outlet (200 mm), with chrome plated wall rose

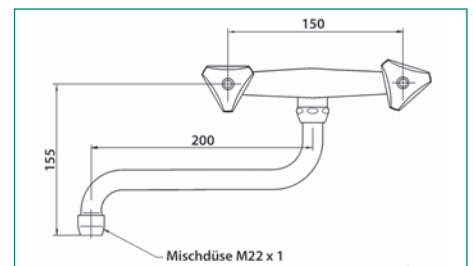
Item-No.:	Version:	Packing unit:
80145 7	chrome plated, M22/1	1/16



Triangular handle (Zamac) with swinging S-outlet (200 mm), with S-connectors and chrome plated wall roses

Item-No.:	Version:	Packing unit:
80140 2	chrome plated, M22/1	1/16

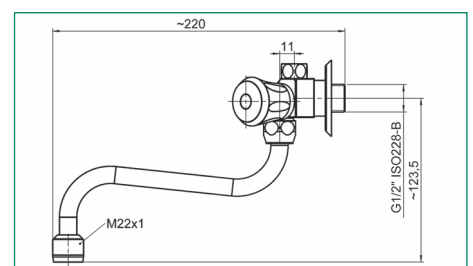
Wall-mounted sink faucet



Wall mounted mixer, oversink model

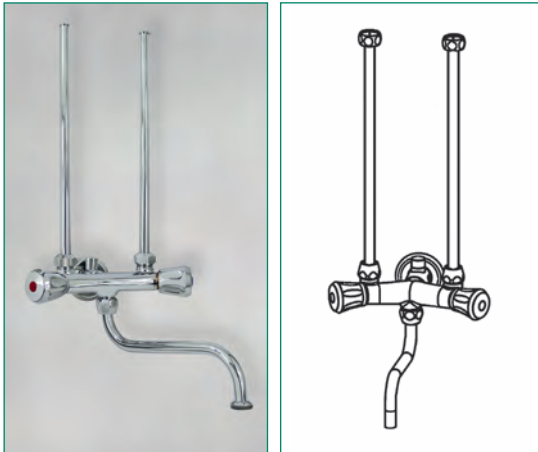
Wall-mounted two-lever mixer with 16 cm swivel spout for small electric water heaters, 1/2"

Item-No.:	Version:	Packing unit:
80150 1	Brass, chrome plated	1/-
Spare parts:		
80150-Körper	Body, brass chrome plated 1/2" x 1/2" x 3/8"	1/ 30
86373-80150	S-outlet, chrome plated, with aerator 160 x 14 mm x G 1/2" x M 22 x 1	/ 10
52265-80150	Push-on rosette, stainless steel, recessed, 1/2" 58 x 21 x 5 mm	100/1200



Outlet taps for water heaters

Two-lever mixer, with 16 cm swivel spout



Oversink mixer with outlet, 1/2", for water heaters electric

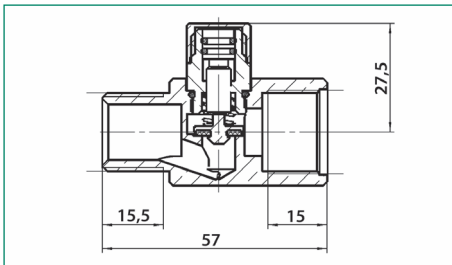
Item-No.:	Version:	Pack. unit:
80151 8	chrome	1/-
Spare parts:		
80151-Körper	Body, brass chrome plated for oversink faucet 1/2" x 1/2" x 3/8"	1/24
52256 7	Combination valve	-/90

Combination valve for 80151



Polished chrome-plated brass, 1/2", with non-return valve

Item-No.:	Version:	Packing unit:
52256 7	polished chrome-plated	-/90

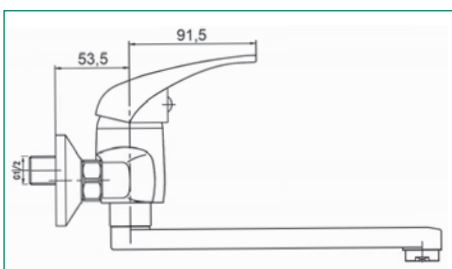


MIX single-lever mixer, wall-mounted



Swinging S-outlet 200 mm, tiltable, with silenced connecting fittings and chrome plated wall roses, open lever, low-noise cartridge Ø 40 mm

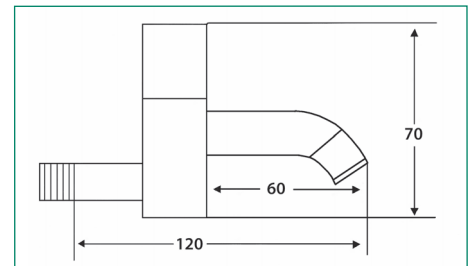
Item-No.:	Version:	Packing unit:
80510 3	chrome plated	1/10
80903 3	Spare cartridge Ø 40 mm	1/20
86328 8	Spare replacement outlet 200 mm with aerator	-/-



QUATTRO

Wall mounted faucet 1/2", without wall rose

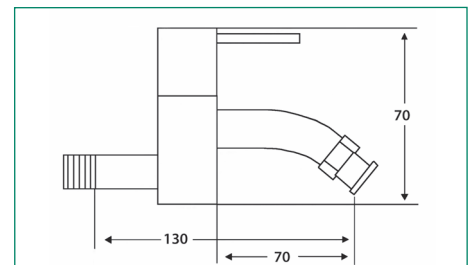
Item-No.:	Version:	Packing unit:
82245 2	chrome plated	1/ 10
82204-2	Aerator, female threaded	
80915-K-82345	Ceramic cartridges with grid socket, M20 x 1,5	-/250



TWIN

Wall mounted faucet 1/2", without wall rose

Item-No.:	Version:	Packing unit:
82345 9	chrome plated	1/ 25
82204-2	Aerator, female threaded	1/ 10
80915-K-82345	Ceramic cartridges with grid socket, M20 x 1,5	-/250



Outlets for water heaters

S-outlets for water heaters, with hand protection and aerator

Item-No.:	Connection:	Packing unit:
86373-80150	160 mm x 14 mm x G 1/2" M22 x 1	10/-
86373-80151	160 mm x 14 mm x G 1/2"	10/-
86361 5	170 mm	10/200
86365 3	200 mm	10/200
86370 7	250 mm	10/200
86375 2	300 mm	10/200



S-outlet

Spouts with aerator M 22/1, chrome plated, solid version made of copper pipe

HU-outlet



Item-No.:	Connection:	Packing unit:
86206 9	130 mm	10/100
86211 3	160 mm	10/200
86216 8	200 mm	10/ 50
86221 2	250 mm	5/ 100
86226 7	300 mm	5/ 100

S-outlet



Item-No.:	Connection:	Packing unit:
86306 6	150 mm	10/ 50
86311 0	200 mm	10/ 50
86316 5	250 mm	10/ 50
86321 9	300 mm	5/ 100
86326 4	400 mm	5/ 100

U-outlet



Item-No.:	Connection:	Packing unit:
86341 7	130 mm	5/100
86346 2	200 mm	1/ 50
86351 6	250 mm	5/100

HU-outlet



With aerator for low pressure

Item-No.:	Connection:	Packing unit:
86256 4	160 mm	10/200
86261 8	200 mm	10/200

Original „Neoperl® aerators“, chrome plated

Aerator M 22/1, female threaded

Item-No.:	Connection:	Packing unit:
86102 4	M 22/1 female threaded	10/250
Replacement seal:		
86106	M 22/1	



Aerators

Aerator M 24/1, male threaded

Item-No.:	Connection:	Packing unit:
86104 8	M 24/1 male threaded	10/270
Replacement seal:		
86107	M 24/1	



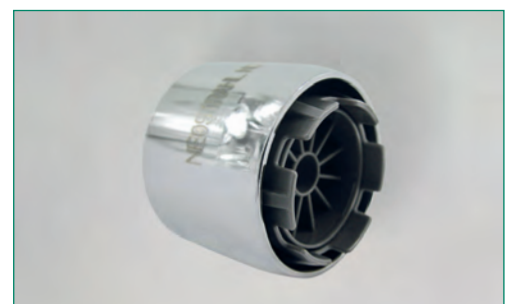
Aerator M 28/1, male threaded

Item-No.:	Connection:	Packing unit:
86124 6	M 28/1 male threaded	1/140
Replacement seal:		
86127	M 28/1	



Flow regulator M 22/1, female threaded, for low-pressure installation

Item-No.:	Connection:	Packing unit:
86134 5	M 22/1 female threaded	10/250
Replacement seal:		
86106	M 22/1	



Aerators

Flow regulator 24/1, male threaded, suitable for low-pressure water heaters



Item-No.:	Connection:	Packing unit:
86144 4	M 24/1 male threaded, low pressure	10/225
Replacement seal:		
86107	M 24/1	

Filter inserts for M 22/24



Item-No.:	Connection:	Packing unit:
86105 5	M 22/M 24	/250

Filter inserts for M 22/24 for flow regulator, suitable for low-pressure water heaters



Item-No.:	Connection:	Packing unit:
86125 3	M 22/M 24	/500

Dish rinsers

With return flow inhibitor, can be switched between aerator or jet function, with antilime rubber nozzles, 1/2"

Item-No.:	Version:	Packing unit:
83712-K	chrome	1/50 color box



TREND

With return flow inhibitor, can be switched between aerator or jet function, with antilime rubber nozzles, 1/2"

Item-No.:	Version:	Packing unit:
83812 5	chrome	1/100
83816 3	mocca	1/100
83817 0	weiss	1/100



UNIVERSAL

UNIVERSAL dish rinser for low-pressure water heaters

With backflow preventer, dual-spray function (aerator and jet stream), with antilime rubber nozzles, 1/2"

Item-No.:	Version:	Packing unit:
83814 9	chrome plated	1/100
83918 4	satin	1/100
83916 0	mocca	1/100
83917 7	white	1/100



Accessories

Replacement hose



For faucets with dish rinser, synthetic material, M 15/1 x 1/2" conical, length 1,20 m

Item-No.:	Version:	Packing unit:
83658 9	chrome plated	1/50

Replacement hose



For faucets with dish rinser, double-agrafe profile, M 15/1 x 1/2" conical, length 1,50m

Item-No.:	Version:	Packing unit:
83659 6	chrome plated	1/50

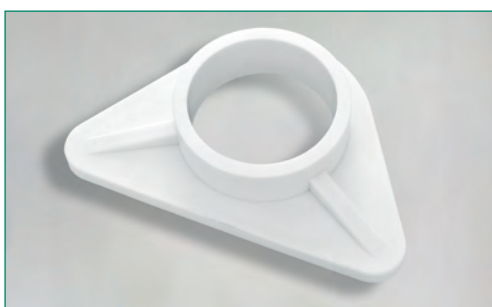
T-piece for low pressure installation



Brass chrome plated, F x F turnable nut x M

Item-No.:	Connection:	Packing unit:
80984 2	M15/1 x G 3/8" x G 3/8"	25/150

UNIVERSAL reinforcement for kitchen sink



Synthetic material

Item-No.:	Version:	Packing unit:
80985 9	white	50/350

Accessories

For pull-out kitchen faucet hoses

Item-No.:	Version:	Packing unit:
80980 4	Steel with plastic coating	10/50

Steel weight



Made of stainless steel, with key ring

Item-No.:	Version:	Packing unit:
86565 7	1 1/2" x Ø 70 mm x 0,45 mm	1/200

Drain valve for the sink



Bath

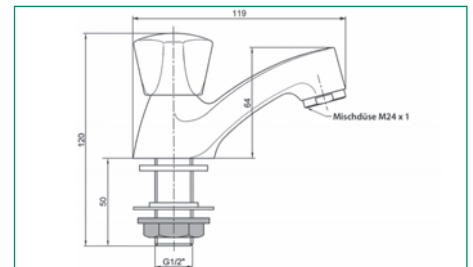


Pillar taps

Pillar tap 1/2"

Triangular handle (Zamac), for cold water

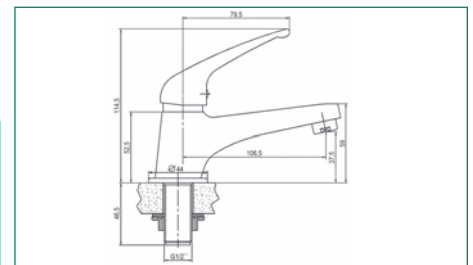
Item-No.:	Version:	Packing unit:
80101 3	chrome plated	1/12



PICCOLO pillar tap 1/2"

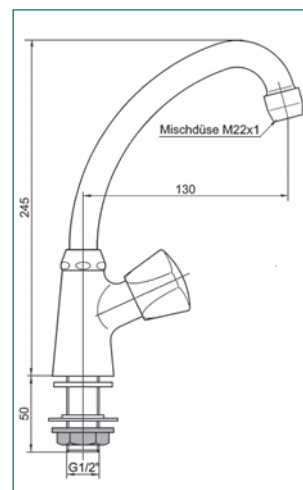
Single handle (Zamac), for cold water

Item-No.:	Version:	Packing unit:
80049 8	chrome plated	1/10
80049-2	Replacement aerator M18 x 1" AG (illu.)	10/10



Triangular handle (Zamac) with swivel spout 130 mm (copper pipe), for cold water

Item-No.:	Version:	Pack. unit:
80104 4	chrome plated	1/16



Pillar tap

Pillar taps

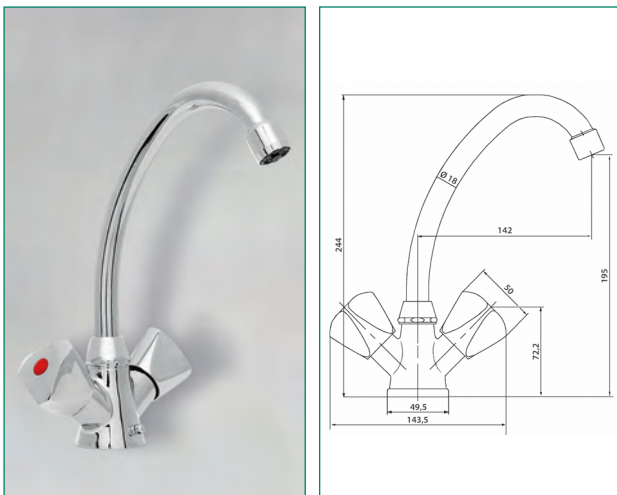
Dual handle tap



Triangular handle (Zamac) with swivel spout 130 mm (copper pipe) and extendible chain, flexible connection hoses 35 cm

Item-No.:	Version:	Pack. unit:
80110 5	chrome plated M10 x 130 mm	1/8

Dual handle tap, low pressure



Triangular handle (plastic) with swivel spout 130 mm (copper pipe), chain eyelet, flexible connection hoses 2 x 50 cm, 1 x 35 cm, certified tested

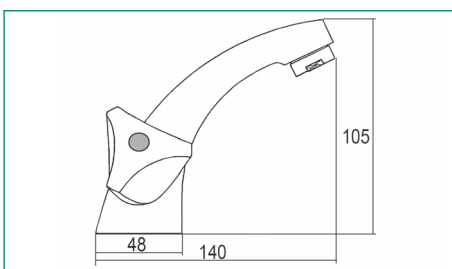
Item-No.:	Version:	Pack. unit:
80112 9	chrome plated M10 x 130 mm	1/ 50
80112-Auslauf	HU-spout, without aerator	10/200

Dual handle tap



Pop up waste set 1 1/4", nickel plated, cast body, rigid, flexible connection hoses 35 cm

Item-No.:	Version:	Packing unit:
80114 3	chrome plated, handle Zamac	1/10
Spare part thrust washer, chrome plated		
80114-2	Ø 54 x Ø 40 x 5 mm	

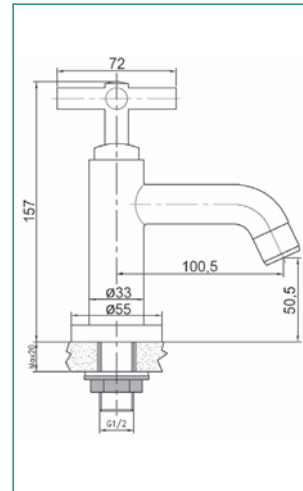


Pillar taps

STYLE pillar tap 1/2"

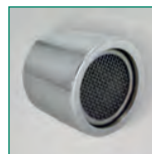
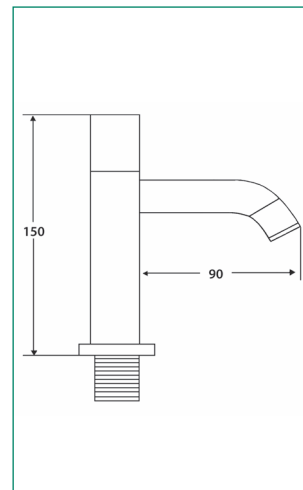
Design version, round

Item-No.:	Version:	Pack. unit:
81849 3	chrome plated	1/10



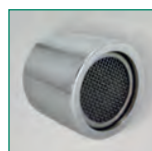
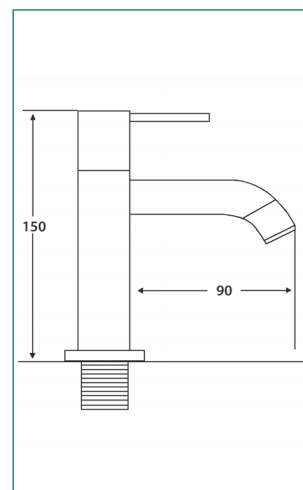
QUATTRO pillar tap 1/2"

Item-No.:	Version:	Pack. unit:
82204 9	chrome plated	1/ 25
82204-2	Aerator, female threaded (illu.)	
80915-K-82345	Ceramic cartridge with grid socket M20 x 1,5 mm	-/250



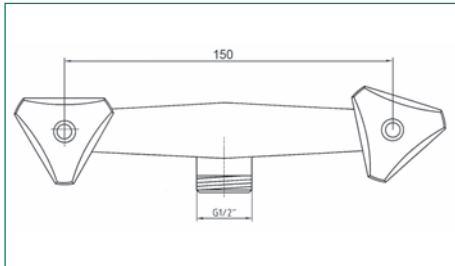
TWIN pillar tap 1/2"

Item-No.:	Version:	Pack. unit:
82304 6	chrome plated	1/ 25
82204-2	Aerator, female thread (illu.)	
80915-K-82345	Ceramic cartridge with grid socket M20 x 1,5 mm	-/250



Shower mixer

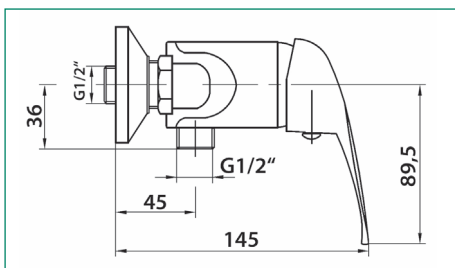
Two handle shower mixer



Triangular handle (Zamac) with 1/2" connection thread for shower hose

Item-No.:	Version:	Packing unit:
80127 3	chrome plated	1/16

MIX single-lever shower mixer



With silenced connecting fittings and chrome plated wall roses, 40 mm cartridge, connection thread for shower hose 1/2"

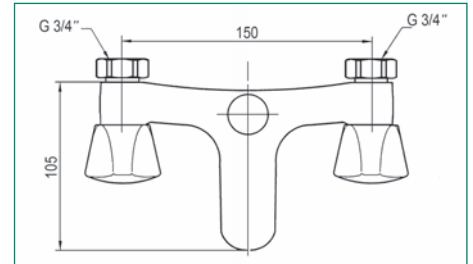
Item-No.:	Version:	Packing unit:
80575 2	chrome plated	1/10

Bath mixer

Wall-mounted triangular handle (Zamac) with 1/2" connection thread for shower hoses, automatic diverter: bath/shower

Item-No.:	Version:	Packing unit:
80120 4	chrome plated	1/10

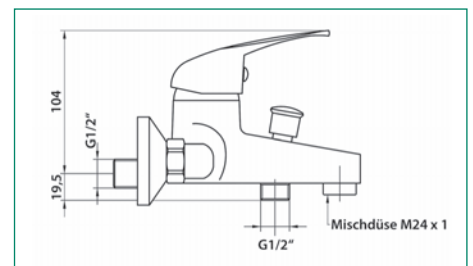
Two handle bath mixer



Wall mounted, with silenced S-connectors and chrome plated wall roses, 40 mm cartridge, aerator M 24/1

Item-No.:	Version:	Packing unit:
80570 7	chrome plated	1/10

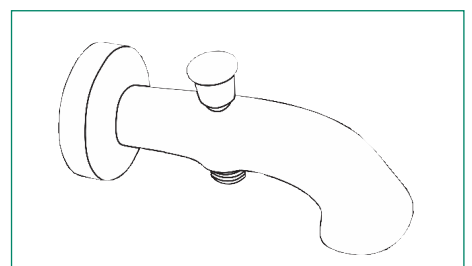
MIX single-lever bath mixer



Bath spout **with** diverter, 3/4" connection-thread

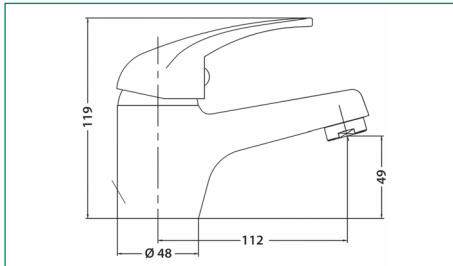
Item-No.:	Version:	Packing unit:
80990 3	chrome plated	1/10

UNIVERSAL bath spout



Series MIX with noise reducing cartridge Ø 40mm

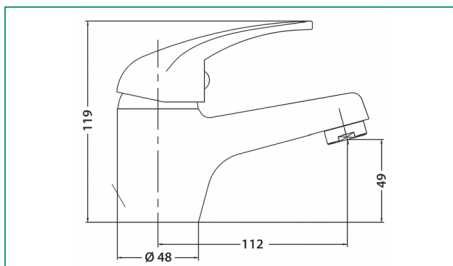
MIX wash basin mixer



With metal-pop up waste set 1 1/4", with flexible connection hoses 35 cm

Item-No.:	Version:	Packing unit:
80551 6	chrome plated	1/10

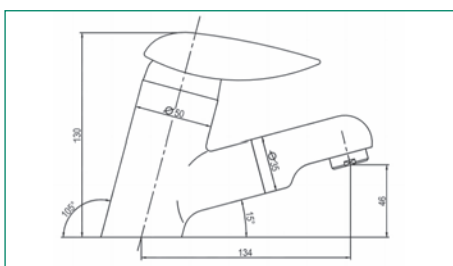
MIX wash basin mixer, low pressure



With metal-pop up waste set 1 1/4", with flexible connection hoses 2 x 50 cm, 1 x 35 cm

Item-No.:	Version:	Packing unit:
80555 4	chrome plated	1/10

MIX wash basin mixer with extendable shower head



With metal-pop up waste set 1 1/4", with flexible connection hoses 35 cm

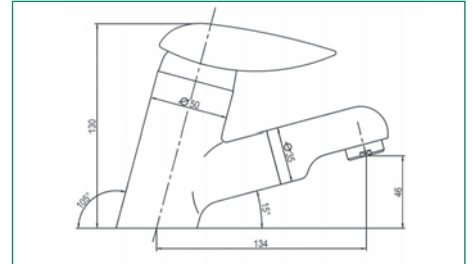
Item-No.:	Version:	Packing unit:
80558 5	chrome plated	1/10
80558-1	Replacement shower head	1/10
83658 9	Replacement shower hose, plastic	1/10
83659 6	Double agraffe shower hose	1/10

Series MIX with noise reducing cartridge Ø 40mm

MIX wash basin mixer with extendable shower, low pressure

With metal-pop up waste set 1 1/4", with flexible connection hoses
2 x 50 cm, 1 x 35 cm

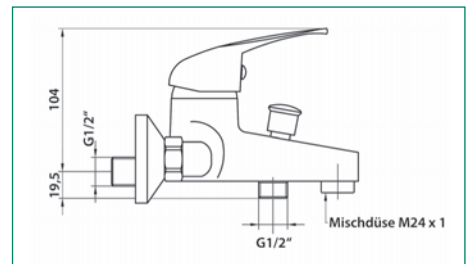
Item-No.:	Version:	Packing unit:
80559 2	chrome plated	1/10
80558-1	Replacement shower head	1/10
83658 9	Replacement shower hose, plastic	1/10
83659 6	Double agraffe shower hose	1/10



MIX bath mixer

With silenced S-connectors and chrome plated wall roses, aerator M 24/1

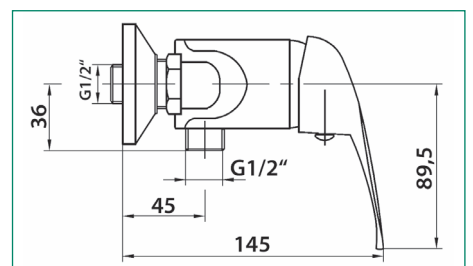
Item-No.:	Version:	Packing unit:
80570 7	chrome plated	1/10



MIX shower mixer

With silenced S-connectors and chrome plated wall roses, connection thread for shower hoses 1/2"

Item-No.:	Version:	Packing unit:
80575 2	chrome plated	1/10



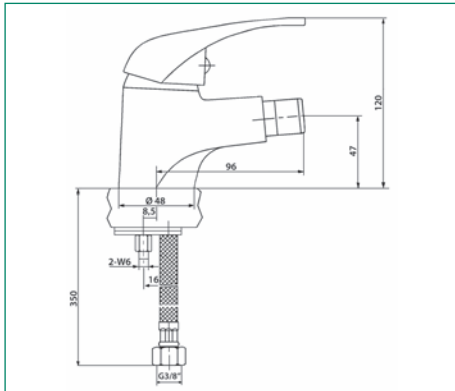
Series MIX with noise reducing cartridge Ø 40mm

MIX bidet faucet



With metal-pop up waste set 1 1/4", with flexible connection hoses 35 cm, with swivel-spray aerator

Item-No.:	Version:	Packing unit:
80560 8	chrome plated	1/10
80903 3	Cartridge Ø 40 mm	1/20

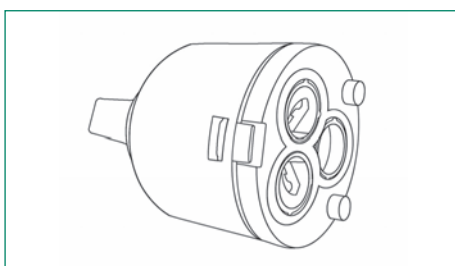


SEDAL replacement cartridge



Ceramic replacement cartridge for single lever mixer, Ø 40 mm

Item-No.:	Version:	Packing unit:
80903 3	Ceramic	1/20



Tubular trap

Pipe odour trap to connect washing machines or dishwashers, brass chrome-plated, rosette Ø 80 mm, adjustable tube 120 mm, outlet bend 250 mm

Item-No.:	Connection:	Packing unit:
86530 5	1 1/4" x 32 mm	1/20



Tubular trap

Pipe odour trap with integrated drops convector pipe 3/4", brass chrome-plated, rosette Ø 65 mm, adjustable tube 170 mm, outlet bend 170 mm

Item-No.:	Connection:	Packing unit:
86531 2	1 1/4" x 32 mm	1/20



Tubular trap

Pipe odour trap with wall rose, brass chrome-plated, rosette Ø 64,5 mm, adjustable tube 80 mm, outlet bend 168 mm

Item-No.:	Connection:	Packing unit:
86532 9	1 1/4" x 32 mm	1/50



Tubular trap

Pipe odour trap with wall rose, brass chrome-plated, rosette Ø 80 mm, adjustable tube 120 mm, outlet bend 250 mm

Item-No.:	Connection:	Packing unit:
86533 6	1 1/4" x 32 mm	1/20



Tubular trap

Tube-siphons

Tubular trap



Pipe odour trap, stainless steel chrome plated, rosette Ø 65 mm, adjustable tube 75 mm, outlet bend 170 mm

Item-No.:	Connection:	Packing unit:
86536 7	1 1/4" x 32 mm	1/50



Tubular trap



Pipe odour trap, stainless steel chrome plated, rosette Ø 80 mm, adjustable tube 120 mm, outlet bend 250 mm

Item-No.:	Connection:	Packing unit:
86537 4	1 1/4" x 32 mm	1/20



Bidet-siphon



Bidet odour trap with wall rose, brass chrome plated

Item-No.:	Connection:	Packing unit:
86582 4	1 1/4" x 32 mm	1/20

Bottle-traps

Bottle odour trap with integrated drops convector pipe $\frac{3}{4}$ ", brass chrome-plated, with rosette \varnothing 80 mm, adjustable tube 170 mm, outlet bend 200 mm

Item-No.:	Connection:	Packing unit:
86541 1	1 $\frac{1}{4}$ " x 32 mm	1/20
Replacement rosette stainless steel		
86549 7	\varnothing 80 mm x 32 mm	100/1200

Bottle trap



Bottle odour trap, stainless steel chrome-plated, with rosette \varnothing 65 mm, adjustable tube 80 mm, outlet bend 200 mm

Item-No.:	Connection:	Packing unit:
86542 8	1 $\frac{1}{4}$ " x 32 mm	1/20

Bottle trap



Bottle odour trap, stainless steel chrome-plated, with rosette \varnothing 80 mm, adjustable tube 120 mm, outlet bend 250 mm

Item-No.:	Connection:	Packing unit:
86543 5	1 $\frac{1}{4}$ " x 32 mm	1/20
Replacement rosette stainless steel		
86549 7	\varnothing 80 mm x 32 mm	100/1200

Bottle trap



Bottle odour trap, massiv brass, chrome-plated, with rosette, with cast cup, adjustable tube 165 mm, outlet bend 300 mm

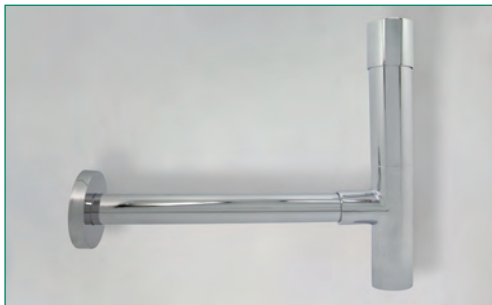
Item-No.:	Connection:	Packing unit:
86552 7	1 $\frac{1}{4}$ " x 165 mm x 300 mm	1/10

STYLE De Luxe bottle trap



Bottle-traps

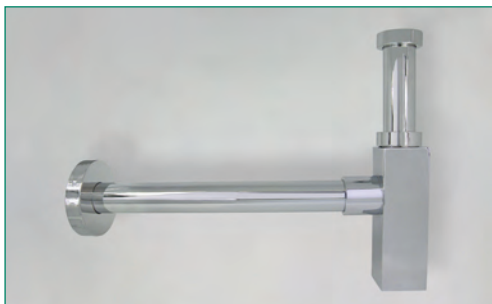
STYLIST De Luxe bottle trap



Bottle odour trap, massiv brass, chrome-plated, with rosette, cast cup, adjustable tube 165 mm, outlet bend 300 mm, with slider covers

Item-No.:	Connection:	Packing unit:
86553 4	1 1/4" x 165 mm x 300 mm	1/50

QUADRAL De Luxe bottle trap



Bottle odour trap, massiv brass, chrome-plated, with rosette, cast cup, adjustable tube 200 mm, outlet bend 300 mm

Item-No.:	Connection:	Packing unit:
86554 1	1 1/4" x 200 mm x 300 mm	1/20

Valves

UNIVERSAL automatic pop up waste (click-clack)

Chrome plated, stopper valve, with overflow

Item-No.:	Size:	Packing unit:
80960 2	1 1/4"	1/50
Replacement seals for valve		
80960-Dichtung		-/-



Spare parts for automatic pop up waste (click-clack)

Replacement pop up spring, plug, bolt for 80960, plain brass

Item-No.:	Size:	Pack. unit:
80960-Führung	M8 x M16 x 1,5 mm (28-38 mm lift)	-/-



Stainless steel plate, complete with plug, screw 80 mm, base brass nickel-plated

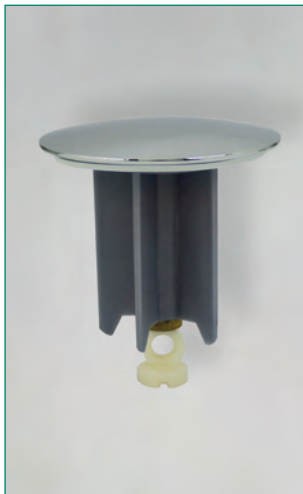
Item-No.:	Version:	Packing unit:
86561 9	1 1/4" x Ø 60 mm	1/100

UNIVERSAL valve



Plugs

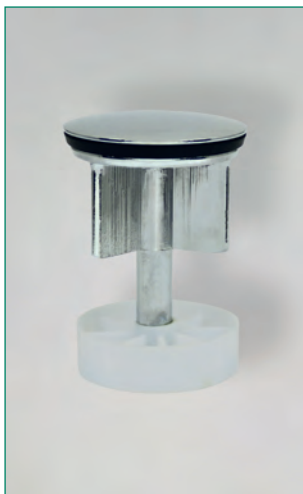
UNIVERSAL pop up plug



Brass chrome-plated, plate Ø 64 mm, suitable for all products

Item-No.:	Size:	Packing unit:
86562 6	1 1/4"	5/50

STANDARD pop up plug



Zamac chrome-plated, plate Ø 40 mm, with O-ring

Item-No.:	Size:	Packing unit:
86563 3	1 1/4"	1/150

Cuff for siphon connection



Rubber, DN 40-50

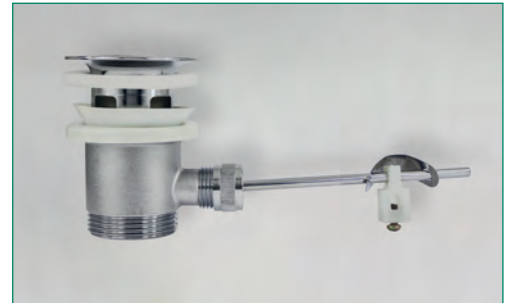
Item-No.:	Size:	Pack. u.:
86559-Dichtung	1 1/2", 40 - 54 mm	-/-

Pop-up wastes

Brass polished chrome-plated, for washbasins and bidets

Item-No.:	Size:	Packing unit:
80958 3	1 1/4"	1/40

UNIVERSAL pop-up waste



Accessories

Brass chrome-plated, with beaded rim

Item-No.:	Connection:	Packing unit:
86586 2	32 mm x 175 mm	1/100
86587 9	32 mm x 220 mm	1/100
86588 6	32 mm x 250 mm	1/100
86589 3	32 mm x 300 mm	1/100

Outlet bend 90°



Brass chrome-plated, with beaded rim and tube aerator

Item-No.:	Connection:	Packing unit:
86584 8	32 mm x 220 mm	1/50

Outlet bend 90°



Accessories

Extension tube



Brass chrome-plated, unilateral with O-ring

Item-No.:	Connection:	Packing unit:
86590 9	32 mm x 130 mm	1/100

Adjustable tube for washing machines



Adjustable tube with hose connector 3/4", brass chrome plated

Item-No.:	Connection:	Packing unit:
86591 6	32 mm x 200 mm	1/100

Inlet pipe



Brass chrome-plated

Item-No.:	Connection:	Packing unit:
86592 3	32 mm x 200 mm	1/100
86593 0	32 mm x 250 mm	1/100
86594 7	32 mm x 300 mm	1/100

Accessories

Brass chrome-plated, with 2 O-rings

Item-No.:	Connection:	Packing unit:
86595 4	32 mm x 32 mm	1/100

Double socket



Brass chrome-plated, with hose screw connection 3/4"

Item-No.:	Connection:	Packing unit:
86596 1	1 1/4" x 1 1/4"	1/100

Outflow adaptor



Brass chrome-plated, with 2 knurled nut and 2 conical sealings

Item-No.:	Connection:	Packing unit:
86597 8	32 mm x 32 mm	1/100

Coupling with end stop



Accessories

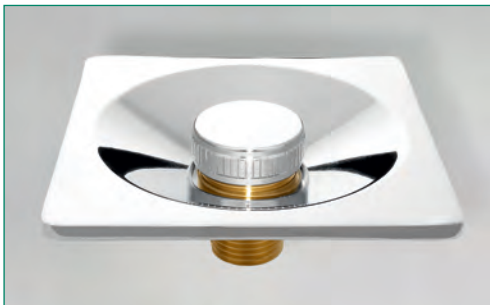
Wall rose



Brass nickel plated, with anti-rotation protection and cap, round

Item-No.:	Version:	Packing unit:
52198 0	100 mm x 3/4" x 1/2"	1/25

Wall rose



Brass nickel plated, with anti-rotation protection and cap, square

Item-No.:	Version:	Packing unit:
52199 7	95 mm x 3/4" x 1/2"	1/25

Hand shower 1-spray

MONO

1-spray, with anti-lime rubber nozzles, incl. water saving flow limiters

Item-No.:	Version:	Packing unit:
83100 3	chrome plated, nubs grey	1/100 poly-bag



MONO

1-spray, with anti-lime rubber nozzles, incl. water saving flow limiters

Item-No.:	Version:	Packing unit:
83200 0	white, nubs grey	1/100 poly-bag



JUPITER I

1-spray, with anti-lime rubber nozzles, incl. water saving flow limiters

Item-No.:	Version:	Packing unit:
83101-K	chrome plated, nubs light grey	1/50 poly-bag



ALPHA I

1-spray, with anti-lime rubber nozzles, incl. water saving flow limiters

Item-No.:	Version:	Packing unit:
83401 1	chrome plated, nubs green	1/100 poly-bag



Hand shower 1-spray

TWIN I

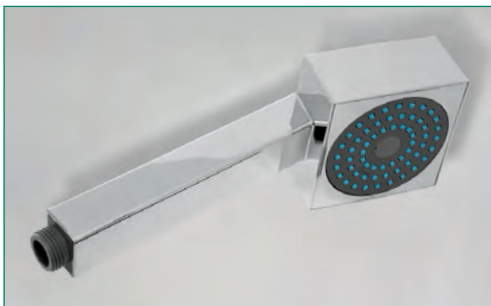


1-spray, with anti-lime rubber nozzles, incl. water saving flow limiters

Item-No.:	Version:	Packing unit:
83700-K	chrome plated, nubs green	1/20 colour box



QUATTRO I



1-spray, with anti-lime rubber nozzles, incl. water saving flow limiters

Item-No.:	Version:	Packing unit:
83711 1	chrome plated, nubs light blue	1/24 colour box



STYLE I



1-spray, with anti-lime rubber nozzles, incl. water saving flow limiters

Item-No.:	Version:	Packing unit:
83800-K	chrome plated, nubs grey	1/20 colour box



GLOBE



1-spray, with anti-lime rubber nozzles, incl. water saving flow limiters

Item-No.:	Version:	Packing unit:
83801-K	chrome plated, nubs green	1/40 colour box



Hand shower 2-sprays

2-sprays, infinitely adjustable, incl. water saving flow limiters

Item-No.:	Version:	Packing unit:
83102-K	chrome plated/transparent	1/50 colour box



KRISTALL



Hand shower 3-sprays

3-sprays, with anti-lime rubber nozzles, incl. water saving flow limiters

Item-No.:	Version:	Packing unit:
83313-K	chrome plated, nubs light blue	1/20 colour box



DELPHI III



3-sprays, with anti-lime rubber nozzles, incl. water saving flow limiters

Item-No.:	Version:	Packing unit:
83403 5	chrome plated, nubs blue	1/100 poly-bag
83403-K	chrome plated, nubs blue	1/50 colour box



ALPHA III



3-sprays, with anti-lime rubber nozzles, incl. water saving flow limiters

Item-No.:	Version:	Packing unit:
83803-K	chrome plated, nubs grey	1/20 colour box



SATURN III



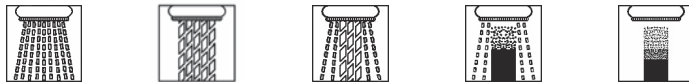
Hand shower 5-sprays

RONDO



5-sprays, with anti-lime rubber nozzles, incl. water saving flow limiters

Item-No.:	Version:	Packing unit:
83105 8	chrome plated, nubs blue	1/50 poly-bag

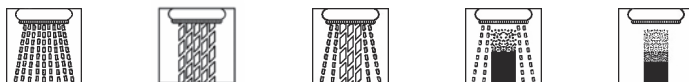


ORION V



5-sprays, with anti-lime rubber nozzles, incl. water saving flow limiters

Item-No.:	Version:	Packing unit:
83305 2	chrome plated, nubs blue	1/50 poly-bag
83305-K	chrome plated, nubs blue	1/50 colour box

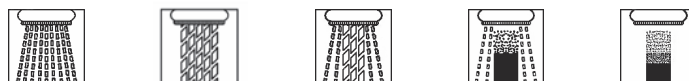


JUPITER V



5-sprays, with anti-lime rubber nozzles, incl. water saving flow limiters

Item-No.:	Version:	Packing unit:
83503 2	chrome plated, nubs grey	1/25 poly-bag
83503-K	chrome plated, nubs grey	



Hand shower 1-spray solid brass

QUADRAL, square

1-spray, with anti-lime rubber nozzles, incl. water saving flow limiters

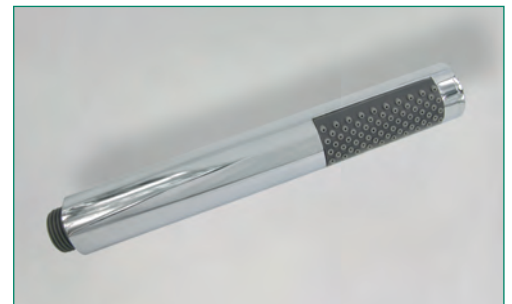
Item-No.:	Version:	Packing unit:
83900 9	Solid brass, nubs grey	1/100 neutral single carton



STYLIST, round

1-spray, with anti-lime rubber nozzles, incl. water saving flow limiters

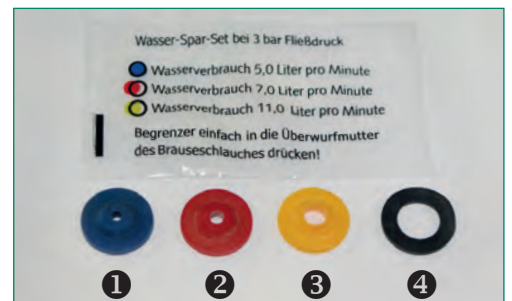
Item-No.:	Version:	Packing unit:
83901 6	Solid brass, nubs grey	1/100 neutral single carton



For insertion into the connection thread of the shower hose

Item-No.:	Length:	Pack. unit:
83559 9	① blue = water consumption 5,0 l/min	1/500
	② red = water consumption 7,0 l/min	
	③ yellow = water consumption 11,0 l/min	
	④ Seal 1/2" (standard)	

Water-saving-kit, 4-pieces



Wellness-showers

MEDIUM



1-spray, with anti-lime rubber nozzles, incl. water saving flow limiters

Item-No.:	Version:	Packing unit:
83400 4	Nubs green, Ø 120 mm	1/50 poly-bag



UFO



1-spray, with anti-lime rubber nozzles, incl. water saving flow limiters

Item-No.:	Version:	Packing unit:
83115-K	Nubs grey, Ø 200 mm	1/10 colour box



OLYMPIC I

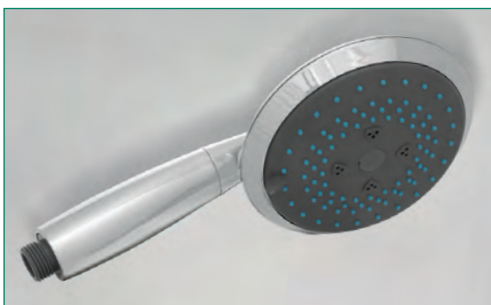


1-spray, with anti-lime rubber nozzles, incl. water saving flow limiters

Item-No.:	Version:	Packing unit:
83510-K	chrome plated, nubs blue, Ø 140 mm	1/20 colour box



OLYMPIC III



3-sprays, with anti-lime rubber nozzles, incl. water saving flow limiters

Item-No.:	Version:	Packing unit:
83511 7	chrome plated, nubs green, Ø 140 mm	1/20 colour box



Head showers 1-spray

UFO I

1-spray, with anti-lime rubber nozzles, Ø 200 mm, 1/2"

Item-No.:	Version:	Packing unit:
83109 6	chrome plated, nubs grey	1/20 colour box



SUN

1-spray, Ø 230 mm, 1/2"

Item-No.:	Version:	Packing unit:
83208 6	chrome plated	1/20 colour box



OVALO

1-spray, 220 mm x 120 mm

Item-No.:	Version:	Packing unit:
83308 3	chrome plated	1/10 colour box



QUATTRO

1-spray, with anti-lime rubber nozzles, 230 x 230 mm, 1/2"

Item-No.:	Version:	Packing unit:
83408 0	chrome plated	1/10 box



Head showers 1-spray

UFO II



1-spray, with anti-lime rubber nozzles, Ø 160 mm, 1/2"

Item-No.:	Version:	Packing unit:
83509-K	chrome plated, nubs blue	1/20 box



UFO III



1-spray, with anti-lime rubber nozzles, Ø 240 mm, 1/2"

Item-No.:	Version:	Packing unit:
83809-K	chrome plated, nubs blue	1/10 colour box

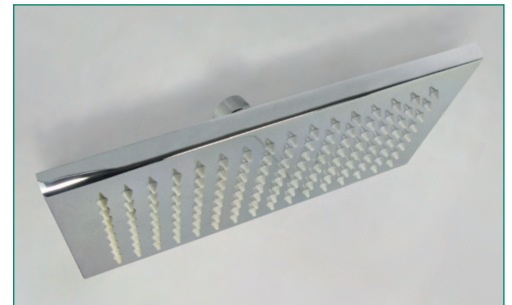


Head showers, solid brass

FLATE

1-spray, rectangular

Item-No.:	Version:	Packing unit:
83119 5	chrome plated, 247 x 143 mm, 1/2"	1/12 box



STYLIST

1-spray

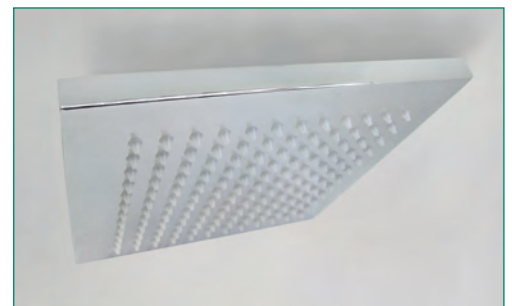
Item-No.:	Version:	Packing unit:
83418 9	chrome plated, Ø 300 mm, 1/2"	1/5



QUADRAL

1-spray, square

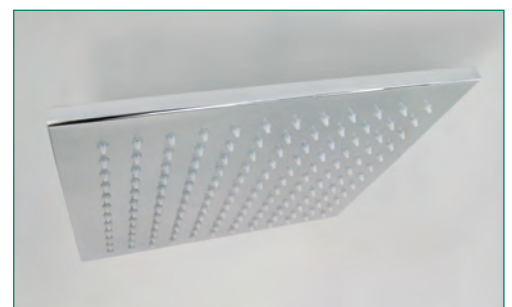
Item-No.:	Version:	Packing unit:
83919 1	chrome plated, 195 x 195 mm, 1/2"	1/10



QUATTRO

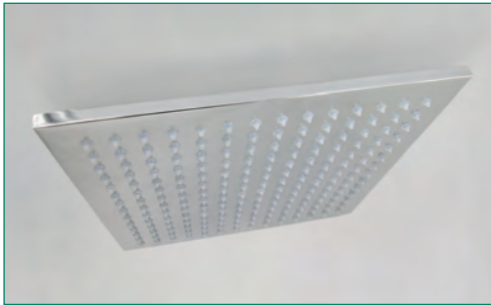
1-spray, square

Item-No.:	Version:	Packing unit:
83921 4	chrome plated, 250 x 250 mm, 1/2"	1/10



Head showers, solid brass

QUATTRO



1-spray, square

Item-No.:	Version:	Packing unit:
83922 1	chrome plated, 300 x 300 mm, 1/2"	1/5



Shower arms, chrome plated

UNIVERSAL

Shower arm, 1/2", 45°, brass tube Ø 18 mm, with wall rose

Item-No.:	Version:	Packing unit:
83185 0	Outreach 150 mm	1/50
83285 7	Outreach 200 mm	1/50



UNIVERSAL

Shower arm, 1/2", 90°, brass tube Ø 18 mm, with wall rose

Item-No.:	Version:	Packing unit:
83485 1	Outreach 200 mm	1/100
83685 5	Outreach 300 mm	1/100
83885 9	Outreach 400 mm	1/100



UNIVERSAL

Shower arm, 1/2", 90°, brass tube Ø 25 mm, with wall rose

Item-No.:	Version:	Packing unit:
83191 1	Outreach 200 mm	1/50
83291 8	Outreach 250 mm	1/50
83391 5	Outreach 300 mm	1/50
83491 2	Outreach 350 mm	1/50
83591 9	Outreach 400 mm	1/50



DE LUXE

Shower arm, 1/2", 90°, brass tube Ø 32 mm, with wall rose

Item-No.:	Version:	Packing unit:
83387 8	Outreach 350 mm	1/40



Shower arms, chrome plated

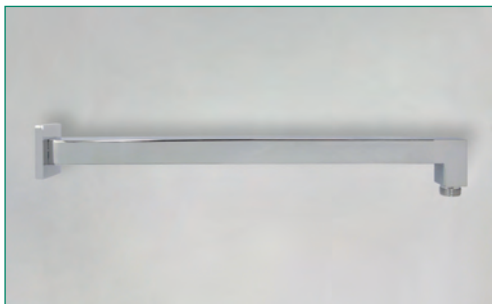
STYLIST



Shower arm, 1/2", 90°, brass tube, with wall rose

Item-No.:	Version:	Packing unit:
83587 2	Outreach 400 mm	1/40

QUADRAL



Shower arm, 1/2", 90°, brass tube square, with wall rose

Item-No.:	Version:	Packing unit:
83687 9	Outreach 400 mm	1/50

UNIVERSAL



Shower arm for vertical installation, 1/2", brass tube Ø 22 mm, with wall rose

Item-No.:	Version:	Packing unit:
83193 5	Outreach 150 mm	1/10
83293 2	Outreach 200 mm	1/50
83693 0	Outreach 700 mm	1/10

Shower arms, chrome plated

QUADRAL

Shower arm for vertical installation, 1/2", brass tube square, with wall rose

Item-No.:	Version:	Packing unit:
83194 2	Outreach 150 mm	1/50
83294 9	Outreach 200 mm	1/10



Design accessories

Supply elbow



Wall mount supply elbow with plastic cap, gland bow brass

Item-No.:	Version:	Packing unit:
83182 9	Brass, chrome plated	

Design accessories, solid brass

DE LUXE supply elbow



Wall mount supply elbow

Item-No.:	Version:	Packing unit:
83282 6	Solid brass, chrome plated	1/75

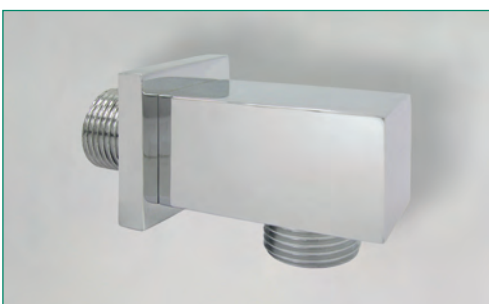
STYLIST supply elbow



Wall mount supply elbow

Item-No.:	Version:	Packing unit:
83382 3	Solid brass, chrome plated	1/50

QUADRAL supply elbow



Wall mount supply elbow, incl. assembly accessories

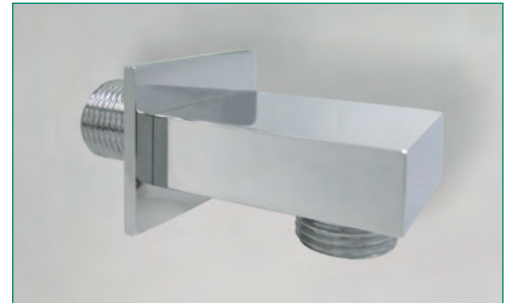
Item-No.:	Version:	Packing unit:
83482 0	Solid brass, chrome plated	1/50

Design accessories, solid brass

Wall mount supply elbow, incl. assembly accessories

Item-No.:	Version:	Packing unit:
83582 7	Solid brass, chrome plated	1/50

FLATE supply elbow



Wall mount supply elbow, incl. assembly accessories

Item-No.:	Version:	Packing unit:
83682 4	Solid brass, chrome plated	1/10

ROUND supply elbow



To insert into the gland- or wall elbow, POM/EPDM, DN 15

Item-No.:	Version:	Packing unit:
83821 7		-/-

Non-return cartridge



Design accessories, solid brass

STYLIST wall-mount holder



Adjustable, incl. assembly accessories

Item-No.:	Version:	Packing unit:
83281 9	Solid brass, chrome plated	1/10

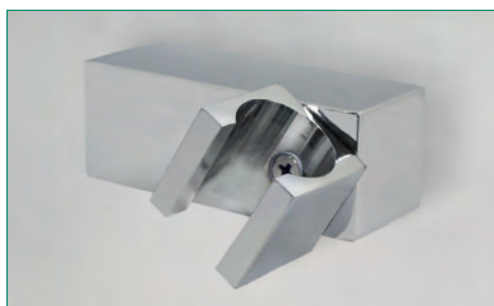
CLASSIC wall-mount holder



Adjustable ball/joint, incl. assembly accessories

Item-No.:	Version:	Packing unit:
83341 0	Solid brass, chrome plated	1/10

QUADRAL wall-mount holder



Adjustable, incl. assembly accessories

Item-No.:	Version:	Packing unit:
83581 0	Solid brass, chrome plated	1/40

FLATE wall-mount holder



Adjustable, incl. assembly accessories

Item-No.:	Version:	Packing unit:
83781 4	Solid brass, chrome plated	1/10

Shower accessories

Fixed side opening for hand shower, incl. assembly accessories

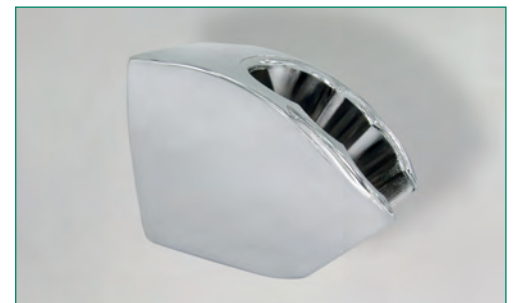
Item-No.:	Version:	Packing unit:
83180 5	Plastic, chrome plated	1/300



UNIVERSAL wall-mount holder

Fixed with three positions for hand shower, incl. assembly accessories

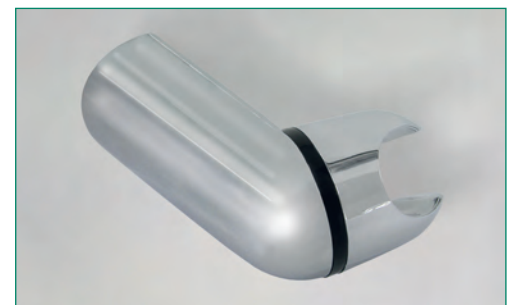
Item-No.:	Version:	Packing unit:
83080 8	Plastic, chrome plated	1/200



DE LUXE wall-mount holder

Adjustable, incl. assembly accessories

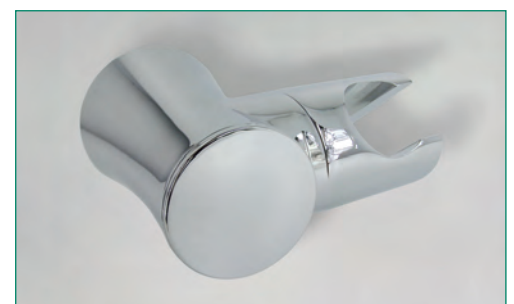
Item-No.:	Version:	Packing unit:
83181 2	Plastic, chrome plated	1/200



UNIVERSAL wall-mount holder

Adjustable, incl. assembly accessories

Item-No.:	Version:	Packing unit:
83681 7	Plastic, chrome plated	1/50



STYLE wall-mount holder

Shower accessories

UNIVERSAL adjustable angle for hand shower



Swivel lase for pin wall-mount or slidebar

Item-No.:	Version:	Packing unit:
83086 0	Zamac, chrome plated, 1/2"	20/200

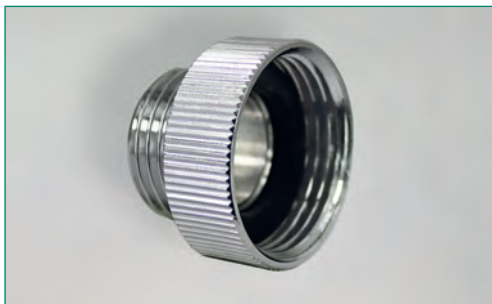
UNIVERSAL hand shower bracket holder



For bath mixers

Item-No.:	Version:	Packing unit:
83586 5	Brass, chrome plated, 3/4" x 1/2"	1/10

UNIVERSAL adapter fitting



With sealing, knurled

Item-No.:	Version:	Packing unit:
35638 4	Brass, chrome plated, 3/4" F x 1/2" M	1/100

UNIVERSAL non-return valve



For bath- and shower mixers and hand showers

Item-No.:	Version:	Packing unit:
83686 2	Brass, chrome plated, 1/2"	1/100

Shower hoses, plastic

BIFLEX

Smooth surface, 2 x ABS (plastic) conical nuts 1/2"

Item-No.:	Length:	Packing unit:
83051 8	1,25 m	1/50
83151 5	1,50 m	1/50



ROYAL

Corrugated surface with brass union nut 1/2" and brass cone 1/2"

Item-No.:	Length:	Packing unit:
83052 5	1,25 m	1/50
83152 2	1,50 m	1/50
83252 9	1,60 m	1/50
83452 3	2,00 m	1/50



Silver Star

Silver shiny surface, brass union nut 1/2" and brass cone 1/2", with kink protection, hose according to KTW-regulations

Item-No.:	Length:	Packing unit:
83057-80	0,80 m	1/15
83257 4	1,60 m	1/15
83357 1	1,75 m	1/15



Shower hoses, brass + stainless steel

Double agraffe



Stainless steel shower hose, double winding, brass union nut 1/2" and brass cone 1/2"

Item-No.:	Length:	Packing unit:
83058 7	1,25 m	1/50
83158 4	1,50 m	1/50
83258 1	1,60 m	1/50
83358 8	1,75 m	1/50
83458 5	2,00 m	1/50

Watersaving-kit, 4-pieces



For insertion into the connection thread of the shower hose

Item-No.:	Length:	Pack. unit:
83559 9	① blue = water consumption 5,0 l/min	1/500
	② red = water consumption 7,0 l/min	
	③ yellow = water consumption 11,0 l/min	
	④ Seal 1/2" (standard)	

Slide bars

STANDARD

Stainless steel bar, Ø 18 mm, plastic slider with pin, chrome plated

Item-No.:	Version:	Packing unit:
83020 4	Length 60 cm	1/ 50
83030 3	Length 90 cm	1/ 50
83087 7	Universal slider for 18 mm slide bar	1/400



STANDARD PLUS

Stainless steel bar, Ø 18 mm, plastic slider with conical hose mount, plastic end posts, chrome plated

Item-No.:	Version:	Packing unit:
83021 1	Length 60 cm	1/ 50
83088 4	Universal slider for 18 mm slide bar	1/300



NOVUS

Stainless steel bar, Ø 22 mm, plastic slider with conical hose mount, plastic end posts, chrome plated

Item-No.:	Version:	Packing unit:
83032 7	Length 90 cm	1/25



Slide bars

VARIANT

Stainless steel bar, Ø 25 mm, slider with conical hose mount and plastic end posts, one adjustable mount, chrome plated

Item-No.:	Version:	Packing unit:
83024 2	Length 65 cm	1/ 25 poly-bag
83024-K	Length 65 cm	1/ 10 colour box
83288 8	Universal slider for 25 mm slide bar	1/250



RONDO

Stainless steel bar, Ø 25 mm, slider with conical hose mount and plastic end posts, chrome plated

Item-No.:	Version:	Packing unit:
83122 5	Length 60 cm	1/ 25
83132 4	Length 90 cm	1/ 25
83388 5	Universal slider for 25 mm slide bar	1/250



TWIN

Brass bar, Ø 25 mm, designed plastic slider with conical hose mount and plastic end posts, chrome plated

Item-No.:	Version:	Packing unit:
83226 0	Length 60 cm	1/ 10 colour box
83227 7	Length 90 cm	1/ 10 colour box
83688 6	Design slider for 25 mm slide bar	1/100



Slide bars

STYLE I

Stainless steel bar, Ø 25 mm, designed plastic slider with conical hose mount and plastic end posts, chrome plated

Item-No.:	Version:	Packing unit:
83426 4	Length 60 cm	1/ 20 poly-bag
83436-K	Length 90 cm	1/ 10 colour box
83688 6	Design slider for 25 mm slide bar	1/100



DELPHI

Bent stainless steel bar, oval 30 x 15 mm, plastic slider with conical hose mount and plastic end posts, chrome plated

Item-No.:	Version:	Packing unit:
83428 8	Length 60 cm	1/
83428-K	Length 60 cm	1/ 10 colour box
83438 7	Length 90 cm	1/
83438-K	Length 90 cm	1/ 10 colour box



OVALO

Brass bar, Ø 20,6 mm, with brass end posts, oval plastic slider with conical hose mount, chrome plated

Item-No.:	Version:	Packing unit:
83524-K	Length 60 cm	1/ 10 colour box
83525-K	Length 90 cm	1/ 10 colour box
83524-1	Replacement slider Ovalo	1/100



Slide bars

STYLE II

Bent stainless steel bar, Ø 25 mm, designed plastic slider with conical hose mount and plastic end posts, chrome plated



Item-No.:	Version:	Packing unit:
83526 1	Length 60 cm	1/ 20 poly-bag
83688 6	Design slider for 25 mm slide bar	1/100

FLATE

Flat brass bar, 30 x 10 mm, brass slider with conical hose mount and brass end posts, chrome plated



Item-No.:	Version:	Packing unit:
83721 0	Length 70 cm	1/10 neutral box

STYLIST

Brass bar, Ø 20 mm, brass slider with conical hose mount and brass end posts, chrome plated



Item-No.:	Version:	Packing unit:
83722 7	Length 70 cm	1/10 neutral box
83722-1	Slider Stylist	1

Accessories for slide bars

For Ø 18 mm slide bars, crystal handle

UNIVERSAL pin slider

Item-No.:	Version:	Packing unit:
83087 7	Plastic, chrome plated	1/400



With conical hose mount for Ø 18 mm slide bars

UNIVERSAL slider

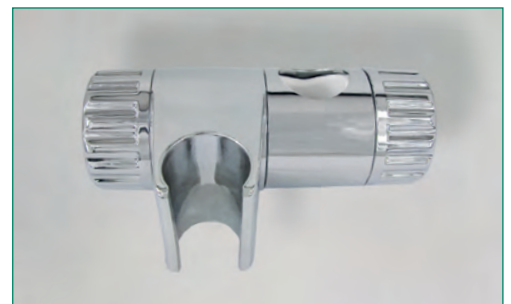
Item-No.:	Version:	Packing unit:
83088 4	Plastic, chrome plated	1/300



With conical hose mount for Ø 20 mm slide bars

UNIVERSAL slider

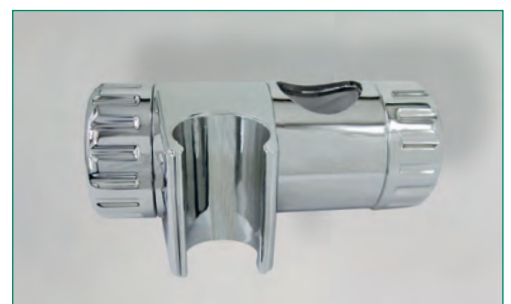
Item-No.:	Version:	Packing unit:
83288-20	Plastic, chrome plated	1/200



With conical hose mount for Ø 25 mm slide bars

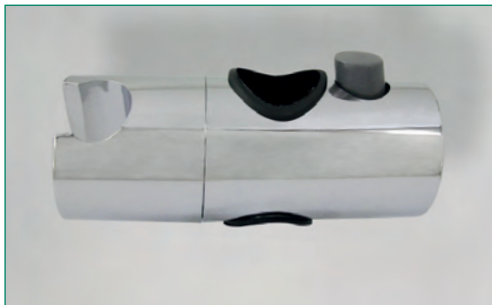
UNIVERSAL slider

Item-No.:	Version:	Packing unit:
83288 8	Plastic, chrome plated	1/250



Accessories for slide bars

STYLE slider



With conical hose mount for Ø 25 mm slide bars

Item-No.:	Version:	Packing unit:
83688 6	Plastic, chrome plated	1/50

UNIVERSAL 3-way diverter



Shower arm diverter

Item-No.:	Version:	Packing unit:
83886 6	Plastic, chrome plated	1/50

UNIVERSAL 3-way diverter



Shower arm diverter

Item-No.:	Version:	Packing unit:
83887 3	Brass, chrome plated	1/50

Shower-kits

ALPHA III

Consisting of: slide bar STANDARD PLUS Ø 18 mm, hand shower ALPHA III, 3-sprays, shower hose ROYAL 1/2" x 1/2" x 1,50 m

Item-No.:	Version:	Packing unit:
83173-K	Length 90 cm	1/-



ROYAL

Consisting of: slide bar ROYAL, straight, hand shower ROYAL, 7-sprays, shower hose ROYAL 1/2" x 1/2" x 1,50 m

Item-No.:	Version:	Packing unit:
83477-K	Length 60 cm	1/10 colour box
83478-K	Length 90 cm	1/10 colour box



STYLE VARIO

Consisting of: slide bar STYLE VARIO, hand shower LINEA, 8-sprays, shower hose ROYAL 1/2" x 1/2" x 1,50 m

Item-No.:	Version:	Packing unit:
83570-K	Length 68 cm	1/10



Wellness-kits

STARWELL

Consisting of: slide bar ROYAL, straight, wellness shower head STARWELL, 5-sprays, shower hose ROYAL 1/2" x 1/2" x 1,50 m



Item-No.:	Version:	Packing unit:
83960-K	Length 60 cm	1/10 colour box
83961-K	Length 90 cm	1/10 colour box

UFO

Consisting of: slide bar UFO, 118 cm, wellness shower head UFO I, 1-spray, Ø 200 mm, double agraffe shower hose, 1/2" x 1/2" x 1,50 m, can be used either as head- or hand shower



Item-No.:	Version:	Packing unit:
83860 6	Length (slide bar) 85 cm, outreach 37 cm	1/6

Soap baskets

Wire thickness 3 mm, brass chrome plated, 221 g

Item-No.:	Dim. (mm):	Packing unit:
87010 1	L 135 x W 90 x H 35	1/50*

Soap basket



Wire thickness 3 mm, brass chrome plated, 278 g

Item-No.:	Dim. (mm):	Packing unit:
87012 5	L 200 x W 90 x H 35	1/50*

Sponge basket



Wire thickness 3 mm, brass chrome plated, 302 g

Item-No.:	Dim. (mm):	Packing unit:
87015 6	L 165 x W 120 x H 35	1/36*

Sponge basket



Wire thickness 3 mm, brass chrome plated, 253 g

Item-No.:	Dim. (mm):	Packing unit:
87020 0	L 135 x W 90 x H 35	1/40*

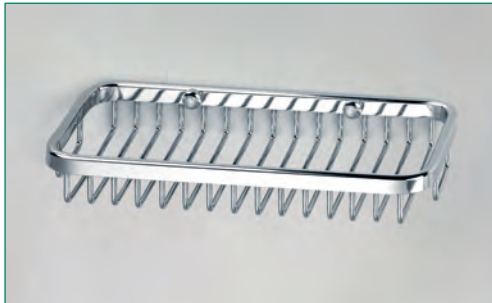
Soap basket DE LUXE



* Neutral package with picture,
incl. mounting material (stainless steel screws)

Soap baskets

Sponge basket DE LUXE



Wire thickness 3 mm, brass chrome plated, 350 g

Item-No.:	Dim. (mm):	Packing unit:
87022 4	L 200 x W 90 x H 35	1/54*

Soap basket, semicircular



Wire thickness 3 mm, brass chrome plated, 148 g

Item-No.:	Dim. (mm):	Packing unit:
87030 9	L 130 x W 80 x H 35	1/20*

Sponge basket, semicircular



Wire thickness 3 mm, brass chrome plated, 340 g

Item-No.:	Dim. (mm):	Packing unit:
87032 3	L 200 x W 120 x H 35	1/20*

Soap basket, angle form



Wire thickness 3 mm, brass chrome plated, 228 g

Item-No.:	Dim. (mm):	Packing unit:
87040 8	L 170 x W 120 x H 30	1/50*

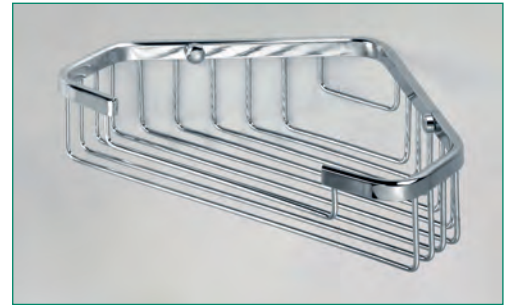
* Neutral package with picture,
incl. mounting material (stainless steel screws)

Soap baskets

Wire thickness 3 mm, brass chrome plated, 351 g

Item-No.:	Dim. (mm):	Packing unit:
87042 2	L 210 x W 170 x H 50	1/24*

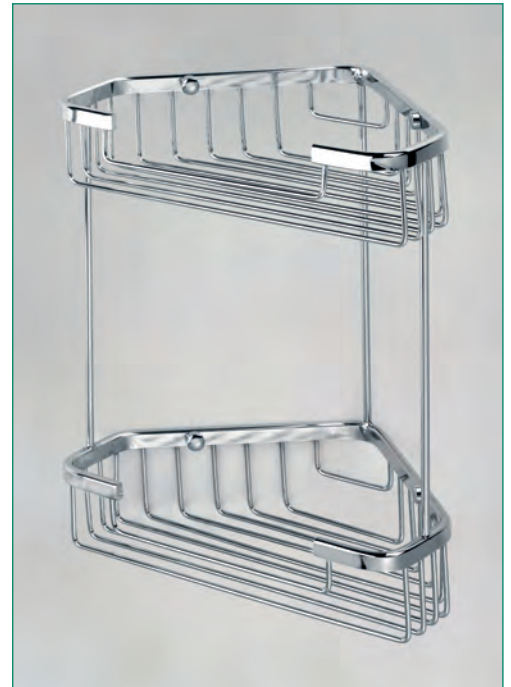
Sponge basket, angle form



Wire thickness 3 mm/connection 5 mm, brass chrome plated, 860 g

Item-No.:	Dim. (mm):	Packing unit:
87050 7	L 210 x W 170 x H 270	1/6*

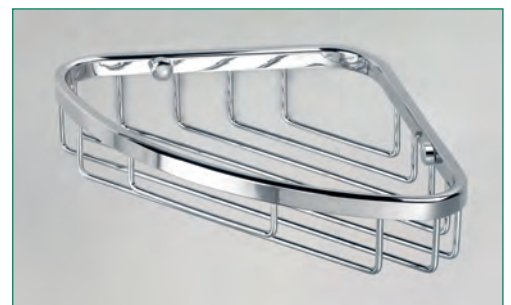
Sponge basket, angle form, 2-tier



Wire thickness 3 mm, brass chromium-plated, 370 g

Item-No.:	Dim. (mm):	Packing unit:
87060 6	L 150 x W 150 x H 35	1/20*

Soap basket, angle form DE LUXE



* Neutral package with picture,
incl. mounting material (stainless steel screws)

Soap baskets

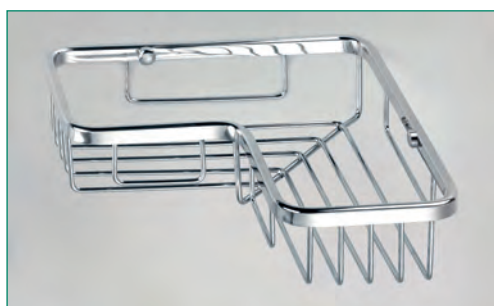
Sponge basket, angle form DE LUXE



Semicircular , wire thickness 3 mm, brass chrome plated, 430 g

Item-No.:	Dim. (mm):	Packing unit:
87062 0	L 180 x W 180 x H 45	1/28*

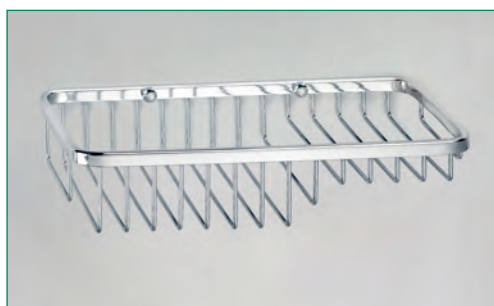
90°, angle form



Wire thickness 3 mm, brass chrome plated, 487 g

Item-No.:	Dim. (mm):	Packing unit:
87070 5	L 220 x W 100 x H 70	1/10*

Soap tray without hook



Wire thickness 3 mm, brass chrome plated, 479 g

Item-No.:	Dim. (mm):	Packing unit:
87075 0	L 300 x W 120 x H 60	1/6*
87080 4	L 400 x W 120 x H 60	1/6*

Covering caps soap baskets



Kit consisting of:

Item-No.:		Packing unit:
87019 4	2 covering caps chrome plated with thread, 2 washers made of brass with thread	1/50*

* Neutral package with picture, incl. mounting material (stainless steel screws)

puteus GmbH terms and conditions for contracting, delivery, and payment

Section 1 General

1. These general conditions of sale apply to all present and future business relations with companies, legal persons governed by public law, and separate estates under public law with respect to deliveries and other services including work orders and the delivery of non-fungible items.
2. The buyer's purchasing terms will not be recognized even if puteus GmbH does not explicitly object to them upon becoming aware of them or after receipt unless puteus GmbH explicitly approves of their validity in writing.

Section 2 Offerings

1. Offerings from puteus GmbH are non-binding and subject to availability.
2. The right to make reasonable technical changes in the form, color, and/or weight of offerings is reserved.

Section 3 Shipping

1. Shipping, including free delivery, is at the buyer's own risk. Selection of the routing is hereby ceded to puteus GmbH. The buyer will bear the shipping costs unless an agreement to the contrary has been made in writing.
2. Transportation insurance will only be obtained upon written request by the buyer and at the buyer's expense. Any damages incurred in transit are to be immediately reported to the carrier and to puteus GmbH.
3. If items should be delivered in returnable containers, then the containers are to be emptied of residues upon receipt and promptly returned carriage paid. Loss or damage of re-use packaging will be at the buyer's expense if the buyer is responsible.
4. Non-returnable packaging will not be accepted by puteus GmbH and must be disposed of by the customer and the customer's expense.
5. Returnable containers that are not explicitly included in the price or the invoice amount will only be made available on loan. They will remain the property of puteus GmbH.

Section 4 Passage of risk

The risk of accidental loss or accidental impairment of products will pass to the buyer upon delivery or, in the event of sale by dispatch, with the handing over of the item to the shipper, carrier, or other person or institution designated to execute the act of shipping.

Section 5 Delivery/acceptance

1. Delivery periods are approximate. They are subject to timely receipt of supplies. If puteus GmbH does not adhere to agreed delivery periods, then the buyer is to set an appropriate subsequent delivery period of at least three weeks for puteus GmbH in writing starting upon receipt of the new deadline by puteus GmbH. The buyer will be entitled to withdraw upon expiration of the subsequent deadline. puteus GmbH will be authorized to make subsequent delivery until a written declaration of withdrawal has been received.
2. In the event of force majeure, industrial action, or other faultless stoppages that last longer than one week, the delivery or acceptance period will be extended by the duration of the hindrance up to a maximum of five weeks in addition to a subsequent-delivery period. The extension will only come into effect if the reason for the hindrance is promptly reported to the other party as soon as it has been observed that the aforementioned period cannot be complied with.
3. Partial deliveries are permissible.
4. In the event that the buyer should default in taking delivery, puteus GmbH will be authorized, after setting a five-day grace period, to invoice the buyer as of the time that the product was provided or to withdraw from the agreement or to demand compensation for damages at its own discretion. Storage of products that are not accepted by the buyer will be at the buyer's own risk and will take storage costs into account.

Section 6 Sample materials

1. Samples will be delivered at cost. In the absence of any agreement to the contrary, samples that have been loaned to the buyer by puteus GmbH will remain our property.
2. In consideration of technical or material-dependent deviations in production, samples are not considered samples in the meaning of Section 454 of the German Civil Code (BGB).

Section 7 Prices

1. puteus GmbH prices are net prices and do not include statutory value-added tax.
2. If there should be a period of more than four months between the conclusion of the agreement and delivery, then the puteus GmbH prices as of the day of delivery will apply. This will not apply if delivery has been delayed due to the fault of puteus GmbH.

Section 8 Payment

1. puteus GmbH invoices will be issued on the day of delivery or provision of the product. Payment will be due in full within 30 days of the invoice date. In the event of payment within eight days of the invoice date, puteus GmbH will grant a cash discount of 2% of the remaining invoice amount after any trade discounts have been deducted.
2. Upon payment after the due date, puteus GmbH will calculate an interest rate of an additional 8% above the base rate. Both puteus GmbH and the buyer will be at liberty to present evidence of greater or lesser damage.
3. The credit balance may only be adjusted based on claims that are uncontested or that have been determined without further legal recourse. The same applies to withholding due invoice amounts unless the counterclaim is based on the same statutory relationship.

4. puteus GmbH will not be obligated to make further deliveries on the basis of any current contracts until due invoice amounts have been paid in full, including interest. If after a contract has been concluded it should become apparent that puteus GmbH's pecuniary claim is in jeopardy due to the buyer's insolvency or if the buyer should be in default on a significant payment amount or if other circumstances should arise indicating that the buyer's solvency has significantly deteriorated, then the rights according to Section 321 of the German Civil Code (BGB) will accrue to puteus GmbH. puteus GmbH will then also be authorized to accelerate all claims that are not yet due based on the current business relationship with the buyer

5. The supplier is entitled to assign his receivables against buyers to a third party.
6. The buyer is obliged to reimburse any fees, costs and expenses in connection with any successful legal prosecution against him outside Germany.

Section 9 Liability for defects

1. Obvious defects or other objections with respect to the delivery item – including the absence of guaranteed or warranted qualities – are to be promptly reported to puteus GmbH in writing no later than 14 days after receipt of the delivery item.
2. puteus GmbH assumes no liability for deviations in quality, color, size, (specific) weight, or equipment that might arise in the course of normal business practice, are minimal, or are unavoidable. Application-specific verbal and written consultation from puteus GmbH – including from puteus GmbH's vendors – will not exempt the buyer from responsibility to examine delivered products for their intended purpose.
3. No objections to obvious defects will be accepted after the product has begun to be processed.
4. Upon receipt of valid notice of defect within the prescribed time limit, puteus GmbH may choose to eliminate the defect or deliver a non-defective product (supplementary performance) at its own discretion. In the event that puteus GmbH should fail or refuse to execute supplementary performance, the buyer may withdraw from the agreement or reduce the purchase price after an appropriate period has unsuccessfully elapsed. If the defect is insignificant or if the product has already been sold, processed, or altered, then the buyer will only be entitled to a reduction of payment.

Section 10 General limitation of liability, statute of limitations, and right of recourse

1. puteus GmbH, including its management and other auxiliary persons, will be liable for violations of contractual or non-contractual obligations, particularly due to impossibility, delay, fault in preparing the contract, or tort, only in the event of wrongful intent or gross negligence and only with respect to damages that are typical of the contract and that are foreseeable at the time that the contract is concluded. For the remainder, liability on the part of puteus GmbH is also excluded for damages caused by defects and consequential damages.
2. These restrictions will not apply to culpable violation of essential contractual obligations that jeopardize the purpose of the contract; in the event of culpably induced harm to life, body, or health; if and to the extent that puteus GmbH has guaranteed the state of the purchased item or has assumed a procurement risk; nor in cases of compulsory liability according to the German Product Liability Law. This will have no effect on regulations concerning the burden of proof.
3. In the absence of any agreement to the contrary, the statutory limit on contractual claims against puteus GmbH that accrue to the buyer by reason of and in connection with product delivery will be one year after delivery of the product. This term will not apply to products that are used for a construction in a manner that is in keeping with their conventional use. This will have no effect on puteus GmbH's liability arising from intentional or grossly negligent breaches of obligation or culpably induced harm to life, body, or health.
4. The buyer's right of recovery in accordance with Section 478 of the German Civil Code (BGB) against puteus GmbH is restricted to the statutory scope of warranty claims that are invoked against the buyer by a third party and assumes that the buyer has fulfilled its obligation to puteus GmbH to give notice of defects in accordance with Section 377 of the BGB.

Section 11 Reservation of ownership

1. Delivered products will remain the property of puteus GmbH until all claims as of the moment that the contract was concluded have been paid in full regardless of the legal basis for the claims. This will apply even if payments for particularly specified claims have been made. Neither the suspension of individual claims in a current account nor the balancing of accounts and acknowledgment thereof will affect the reservation of ownership.
2. If the reserved product that was delivered to the buyer should be machined or processed by the buyer, the machining or processing by the buyer will be executed by the buyer for puteus GmbH without any obligations accruing to puteus GmbH. If the delivery item is connected to, mixed with, or combined with items that do not belong to puteus GmbH, then puteus GmbH will be come the co-owner of the total item in accordance with statutory provisions. If the buyer should acquire sole ownership of the new item, then it hereby transfers co-ownership of the items connected to it to puteus GmbH in proportion to the value of the delivery item at the time that the connection was made.
3. If the buyer should sell the reserved product individually or in conjunction with a product that does not belong to puteus GmbH, then the buyer hereby assigns the claims resulting from the resale to puteus GmbH in the amount of the value of the reserved product with all ancillary rights and claims that accrue in lieu of the reserved product. If the resold product is co-owned by

puteus GmbH, then the claim assignment will extend to the amount that corresponds to puteus GmbH's share of the co-ownership. puteus GmbH hereby accepts these assignments. Incorporation of the reserved product into built structures will also be considered a sale.

4. The buyer is hereby authorized to collect on claims arising from resale. This collection authorization will become void if it should be revoked by puteus GmbH no later than the moment of a default on payment, non-payment of a bill, or petitioning for the initiation of bankruptcy proceedings. puteus GmbH will only invoke its right to revocation if, after the conclusion of the agreement, it becomes apparent that puteus GmbH's pecuniary claim arising from this or from another agreement with the buyer is in jeopardy due to the buyer's insolvency. Upon request by puteus GmbH, the buyer will be obligated to immediately inform its own buyer of the assignment to puteus GmbH and to promptly transfer to puteus GmbH the documents necessary for collection, in particular the buyer must transfer to puteus GmbH a precise summary of its claims with the name and mailing address of its own buyer and must provide puteus GmbH with all the information necessary to assert the assigned claims. The buyer hereby authorizes puteus GmbH to inform the secondary buyer of the assignment and to collect on the claims immediately upon default on a payment or deterioration of its financial circumstances. puteus GmbH will have the right to demand that the legal validity of the assigned claims be examined by a representative based on the buyer's accounting. The buyer must provide puteus GmbH with a summary of the reserved products that are still on hand.
5. If the buyer should act in breach of contract, and particularly in the event of a default on payment, puteus GmbH will be authorized to withdraw the delivery item after giving formal notice and setting a time limit and the buyer will be obligated to return it. Neither assertion of the reservation of ownership nor seizure of the delivery item by puteus GmbH will be considered withdrawal from the agreement.
6. The buyer is hereby authorized and empowered to resell, use, or incorporate the reserved product only in the conventional and proper course of business and only on the understanding that claims that have been assigned in accordance with the provisions above will in fact proceed to puteus GmbH. The buyer is not authorized to otherwise transfer the reserved product. The buyer may not pledge the reserved product nor transfer ownership as collateral. The buyer's authorization in accordance with the first sentence of this paragraph will not apply in the event of impending or already established insolvency or in the event of other essential deterioration of its financial circumstances.
7. The buyer must both promptly inform puteus GmbH of enforcement measures undertaken by third parties with respect to the delivery item with reserved ownership or the claims assigned to us and deliver the documents necessary to challenge the enforcement.
8. If the value of the total collateral granted to puteus GmbH should exceed puteus GmbH's claims by more than 20%, then puteus GmbH will be obligated and prepared to return or release to the buyer the collateral granted to puteus GmbH to the extent that it exceeds the agreed coverage limit.

Section 12 Blanket orders and call orders

1. If an on-call purchase is agreed with the buyer, then payment for outstanding deliveries will be due automatically upon expiry of the on-call term. The buyer will then be obligated to call for the outstanding deliveries and to pay the agreed purchase price as paid for the transfer of the property. With respect to any individual installment, in addition to fulfillment, puteus GmbH will have the right to demand compensation for pecuniary detriment or to proceed in accordance with Section 323 of the German Civil Code (BGB).

2. If the buyer should fail to call for the agreed deliveries within the agreed on-call term, then puteus GmbH will have the right to otherwise utilize the products without fixing a time limit. The same will apply if the buyer should file for bankruptcy within the on-call term and/or become insolvent.

Section 13 Price clause

puteus GmbH hereby reserves the right to reasonably change its prices for all orders – including on-call orders and call-off contracts – that, either contractually or at the buyer's request, are delivered more than three months after the order was placed if costs should decline or increase after the contract was concluded, particularly due to wage increases or changes in the cost of materials. The orderer will be provided with evidence of such changes upon request.

Section 14 Proprietary rights, tools, models, and illustrations

1. If items are delivered based on illustrations or other details provided by the buyer, then it will be the buyer's responsibility to ensure their accuracy and that no third party proprietary rights are violated. The buyer must indemnify puteus GmbH against any claims by a holder of proprietary rights.
2. puteus GmbH may invoice for molds, models, tools, and equipment that are required for the ordered product. They will remain property of puteus GmbH even if puteus GmbH manufactured them on behalf of the buyer and/or has paid the buyer in whole or in part. This will apply even if they were manufactured according to special instructions from the buyer, which uses them exclusively for deliveries to the orderer, as long as it fulfills its commitment and payment obligations and the business relationship persists.
3. If no parts are reordered two years after the last production, then puteus GmbH, after giving appropriate notice to the buyer and after a period of five weeks from receipt of notice by the buyer, will have the right to scrap or otherwise utilize the molds, models, tools, and manufactured equipment.
4. If the buyer should file for bankruptcy, puteus GmbH will be authorized to scrap or otherwise utilize the molds, models, tools, or manufactured equipment before two years have expired and without notifying the buyer in advance.

Section 15 Return of catalog products

Catalog products may only be returned due to product redelivery according to prior agreement and are to be undertaken freely. 30% of the handling costs will be deducted from any credit entries for re-saleable products.

Section 16 Place of fulfillment/legal venue

1. The place of fulfillment for all claims arising from the contractual relationship will be puteus GmbH's principle place of business.
2. For all present and future claims arising from the business relationship, including bills and checks receivable, the legal venue will be puteus GmbH's corporate headquarters. This will apply even if the buyer has no legal venue in Germany or if the buyer's domicile or usual residence is unknown at the time when proceedings are instituted. puteus GmbH will also be authorized to bring an action at the buyer's principle place of business.
3. The laws of the Federal Republic of Germany will apply. The terms of the United Nations Convention on Contracts for the International Sale of Goods will not apply.
4. If particular terms of the agreement with the client, including these General Terms and Conditions, should be or become legally inoperable in whole or in part, the validity of the remaining terms will be wholly or partially unaffected. The wholly or partially inoperable provision will be replaced by a provision whose commercial outcome approximates that of the inoperable term as closely as possible.

puteus GmbH, Lenenweg 6, D-47918 Tönisvorst
Version: November 2023

TECHNICAL INFORMATION

Size and weight

Unless otherwise stated, all dimensions are in millimeters (mm) and weights are in grams (g).

PN = nominal pressure in bars 1 bar 10N / cm² ⇒ ca. 10 m column of water

DN = nominal diameter in inches or mm 1" = 25,4 mm ⇒ ca. 25 mm

Nominal pressure is the maximum applicable pressure at the standard temperature, which, unless otherwise stated, is 20°C.

Nominal diameter is the excess pressure when all operational conditions are taken into consideration, including pressure surges. It depends on the operating temperature, the medium, the size of the component/valve, and, where applicable, the type of seal.

There are legal provisions or regulations that apply to certain areas of application and that take precedence over the guidelines provided in this catalog.

Medium

The details presented in this catalog with respect to pressure and temperature conditions refer to water.

Suitability for gases, oils, or glycolic or other media should be investigated in light of the operating pressure and operating temperature. Our applicability information may not be applied to media or operating conditions other than those that have been approved without our clearance.

Custom models

If there are no articles in our standard program that are suitable for your needs, we can also create custom models upon request. For this, we would need a detailed letter of inquiry with the corresponding number of units as well as drawings or sample parts.

Installation instructions

A) Screw thread

Connection dimensions and screw thread of complementary proportions must always be selected.

The screw thread should not be too strongly sealed with hemp or sealing tape, which is to say that after the hemp has been applied, the crest of the thread must still be visible. Sealing the thread too strongly will increase the pressure in the component. Over time, that pressure can cause cracks.

To avoid causing damage during installation, the components should be conventionally screwed in with the appropriate, customary tools, without excessive force and without lever extension.

Self-sealing valves must not be sealed further with hemp or sealing tape. The corresponding mating thread must be of sufficient length (min. 12 mm). Where applicable, components are only to be installed on the spanner flats provided for that purpose by means of a suitable spanner/pliers. Our products must be installed without tension in due consideration for the information above. Alignment, e.g., of connections that we provide by means of heating appliances, is prohibited because this can also cause tension cracks and secondary damage later on.

Where applicable, connecting different metals or alloys can cause corrosion, for which puteus GmbH cannot be held liable (e.g., connections between brass and stainless steel or copper with zinc-plated metals). These characteristics are to be checked before our products are installed.

The components' pressure and sealing are to be carefully tested after installation. Where applicable, the installation instructions that are enclosed with the components are to be observed when doing so.

B) Gate valve

After disassembly/repairs/maintenance work, the upper section is only to be reassembled with a raised sealing wedge. Do not damage sealing surfaces/key seats. Sealing wedges cannot be replaced.

C) Socket slide valve

These must only be installed in closed position. Key seats must not be damaged by screwing in pipes by force.

D) Ball valves

To ensure operability, for example, only set ball valves on very low static and dynamic power. Where applicable, the component should be supported by appropriate measures (e.g., pipe clamps or similar). The torque to be applied to the ball valve must only be applied to the spanner flats at the end that is being screwed in, otherwise there is a risk that the ball valve could be unsealed or cracked. Likewise, bodies and ball valve screwing components must not be screwed against one another. Doing so would also cause leaks and/or the risk of breakage.

E) Pipe and hose connections

According to DIN EN 1717 pipe and hose connections for devices that contain non-potable water (e.g. washing machines) must be connected to a water intake using a backflow preventer to avoid any backflow of polluted water into the potable water line.

Recommendations for the use of ball valves

1. General information

Ball valves serve as shut-off valves for pressurized media. The manufacturer's information on flow media, operating pressure and temperature range must be respected. Using other than approved media may shorten the ball valve's lifespan or lead to a failure of the ball valve.

The installation may only be carried out in systems with equal pressures. Any possible pressure surges due to the quick-lock system must be taken into account as these may damage the piping system. The valve can be opened and closed by a 90° turn of the lever, intermediate positions of the lever are not allowed during the operating condition.

Ball valves should be stored in a dry place, free of dirt and without direct sunlight.

2. Installation and removal instructions

Ball valves may only be used in compliance with the requirements for their intended use. The installation must be carried out stress-free and with appropriate tools in a pressure less state only by qualified and trained staff. Do not turn the ball valve forcibly and do not use it to align the pipeline. The ball valve must be checked for damage before installation. Plumbing lines must be rinsed before first commissioning after maintenance and repairs.

Do not clamp the ball valve too tightly in a vise or something similar for pre-assembly in order to avoid damage and stress cracks on the body. According to the general installation instructions you must not seal the threads with too much hemp. The tips of the threads must remain visible. When installing the ball valve only use the designated spanner flat at the installation side to apply the counter-torque. Never apply the wrench to the body or to the side opposite of the installation side. Do not exceed the recommended tightening torque, any existing sensor plugs must be tightened to 15 Nm. The handle must not be used as a mounting lever.

The use of quarter-turn ball taps is only allowed with free outflow to avoid a backflow of sewage into the pipeline. Quarter-turn ball taps are not suitable for the use in domestic water-pipe systems or as device connection taps. It is necessary to carry out functional and leak tests after installing and before the ball valve is put into operation for the first time.

3. Commissioning

Operating conditions and installation works must be checked again before commissioning. Notice: Due to a long-term storage or long downtimes the release torque may be much higher than the usual turning moment.

Before initial start-up or putting into operation after maintenance work the pipeline has to be deaerated. In case of pressure surges air bubbles may cause explosions or damages to the piping system. Therefore the pressure should only be slowly increased.

Ball valves at the end of a pipeline must be sealed professionally with a blind flange to avoid the valve being forcibly torn off. Caution! Danger!

The ball valve may not be operated with a tool that shall serve to increase the leverage (e.g. hammer, pliers, extension tubes etc.)

4. Maintenance and inspection

Depending on the assembly situation, ball valves have to be drained before the first frost sets in as well as before cleaning works. When emptying the valve the handle should be in a 45-degree-position to make sure that the dead space may be emptied, too. Tests for tightness, functionality and damages should be carried out regularly. Depending on the operating situation this should be done in shorter time intervals. During long periods of disuse the ball valve should be put into operation every few months to guarantee proper functioning.

Defective or corroded valves or valves that do not work properly must be replaced during maintenance work. Replacement and removal may only be carried out by qualified personnel whilst the pipeline is not under pressure.

5. Warnings

The manufacturer will not accept any liability for deficiencies caused by assembly errors, improper handling, the use of impermissible media or not allowed operating situations as well as for damages due to normal wear and tear.

Ball valves may not be used as throttle valves! They may only be used in a fully opened or closed situation to avoid damages to seals in the spherical area. Depending on the operating situation the ball valve's body can get very warm. Caution!

Legal health and safety regulations, national rules and technical rules and standards for certain operating and mounting situations have to be observed. Viscous fluids or hardenable media as well as certain chemical substances may impede the function or make it impossible. Please refer to the manufacturer's information.

Polluted or sandy media may cause damages to the seals. In case of neglecting the given information on working pressure or working temperature leaks may occur or the ball valve may tear apart. Caution!

(as of November 2023)

Further Information:

Unless otherwise indicated or unless they are provided with drain plugs that are used to empty the valve before the frost season, no valves (taps, check valves, foot valves, gate valves, ball valves, etc.) are frost-resistant.

Our ball valves, valves and fittings have to be installed without mechanical tension. They must not be used for adjusting pipings.

Chrome plated surfaces, e.g., on bathroom fixtures or device connector valves, are sensitive to lime-dissolving agents, acidic cleaners, and all types of

abrasives. These surfaces must only be cleaned with clear water and a soft cloth (leather).

Our pumps, wall and standing fountains are provided with a protective coating for transport purposes by the manufacturer. This first layer of paint is not considered to be a permanent corrosion protection or optical coating.

We offer no guarantee for wearing parts in the event of corrosion or malfunction due to very hard water or contaminated water lines (e.g., with respect to sealing or mixing jets) or due to improper assembly; chemical or mechanical events during transportation, storage, connection, repair, or use; or improper handling of products.

We provide the statutory guarantee for defects in our products that arise due to material or manufacturing defects or through normal use. Defects due to non-observance of the information above are excluded from that guarantee.

Previous documents cease to be valid upon publication of the catalog. Our catalog serves exclusively as a basis for wholesale, industrial, and technical information and work. It is not a sales document.

Returns are only permitted based on prior written agreement; this particularly applies to custom production. Return deliveries that are not prepaid will not be accepted.

Recommendations for the handling of hoses

A number of factors can have an impact on how long the hose lasts:

- application
- medium
- abrasion
- storage etc.

Therefore it is not possible to give a general information about the durability of a hose. The end user should regularly check the hose for leaks and replace it if necessary.

The rubber compound can change its characteristics over time because of its chemical properties. This process can be accelerated by improper use of the hose or other influences. Therefore we give the following recommendations:

Storage

1. Avoid long storage periods! Otherwise, a check is important at the 1st use.
2. Ideally you should store the hose at a temperature between +10°C and +25°C. Temperatures of less than 0°C or more than +40°C will damage the hose. Keep the hose away from all sources of heat! Avoid dry air as well as high air humidity!
3. No direct solar radiation or aggressive artificial light!
4. Airflow and ozone can ruin the material. Do not store near electric motors, high-voltage units etc. because of the danger of sparks or electrostatic charge or uncontrolled heating of eventually mounted metal couplings.
5. Different substances can affect the material of the hose. Therefore please avoid any contacts with: solvents, fuels, acids, disinfectants, wood preservers, volatile or organic chemical substances or mixtures. Manganese, iron, copper and copper alloys may affect some kinds of rubber mixtures.
6. Store loosely rolled and stress-free to avoid compressing the tube. Coiled hose should be stored in a horizontal position. Do not pile up and pay attention to the weight to avoid any deformations! If given by the supplier, please note the minimum bend radii to prevent kinks.
7. Check the hose for suitability and proper seat of mounted couplings before delivery or resale.
8. Clean the hose before re-storage (please check suitability of the cleaning agent !). This applies particularly in case of the use of chemical, explosive or abrasive materials. Checks for reusability are essential.

Use

1. Hoses should only be used in accordance to their intended purpose. The misuse –e.g. as towing rope- is not allowed.
2. Before using the hose you have to check its suitability with regard to its characteristics, type or size.
3. Exercise due diligence when transporting the hose. The hose may not be exposed to severe shocks or tensile forces across rough surfaces. Avoid twisting, kinks and knots.
4. Please note the mentioned operating pressures! If checking the hose for leaks, the pressure in a hose free of air bubbles must only be increased gradually until the maximum pressure is reached.
5. The hose has been developed to channel liquids which are approved by the manufacturer. This does not give the permission to immerse the hose in the liquids.
6. Please note the ambient temperature and the maximum operating temperature which depend on the medium. Keep hose line away from sources of heat!
7. The material of the hose must be resistant to all media used. Check this before use. Changes in the concentration of media, period of use or temperature may cause changes in the suitability and chemical resistance of the hose.
8. Varying degrees of abrasion may occur depending on the kind of medium used or pulling the hose across different surfaces. Therefore you have to control the wear and tear of the tube regularly.
9. Make sure that installed hoses and hose connections are protected against impurities to avoid a contamination of hose and medium; particularly when used with drinking water.
10. Do not install hose lines on driveways or rather protect them against running over. If necessary, use hose bridges or the like.
11. Mounted hose fittings or spray nozzles should not be used as end or shut-off valves as they are not constructed for that purpose. Do not expose them to a permanent water pressure to prevent the valve/nozzles from being torn off and/or avoid bursting of the hose. After finishing work the water supply to the hose has to be shut off.

Assembly and commissioning of hose lines in technical fields

Please note:

1. When using hoses fitted with connectors, ensure that they are the correct length. An extension through the use of several connecting hoses is not permissible.
2. Before putting a hose line into operation please check if it is in accordance with eligible regulations and directives, e.g. the instructions of the Trade Association To02, §§14 and 15; the Industrial Safety Regulation (BetrSichV) or the Technical Rules for operating safety (TRBS).
3. Do not use a hose line if there are any visible damages!
4. Hose lines with given inspection intervals may not be used when the inspection date has expired. After repair or modification the hose line must be checked.
5. The hose line must be cleaned before putting it into operation. Do not forget to check the suitability of the cleaning agent!
6. With regard to electrostatic discharge the following instructions have to be observed: TRBS 2153 ("Avoiding of ignition hazards due to electrostatic charges")
7. The hose line must be cleaned when changing from one to another flow medium to avoid a possible chemical reaction or contamination of the new medium.
8. For special applications or construction projects, it is essential to comply with the manufacturer's instructions.

Disposal

Please follow local regulations if you want to dispose hose materials and/or hose fittings.

Legal information: According to the Drinking Water Ordinance [esp. §§ 3 and 17], every tapping point of water that is not intended for human use must be permanently marked with a notice "no drinking water" and safeguarded against inappropriate use!

Tapping systems for non-drinking water that are installed in the household in addition to the drinking water supply system must be reported to the health authority!

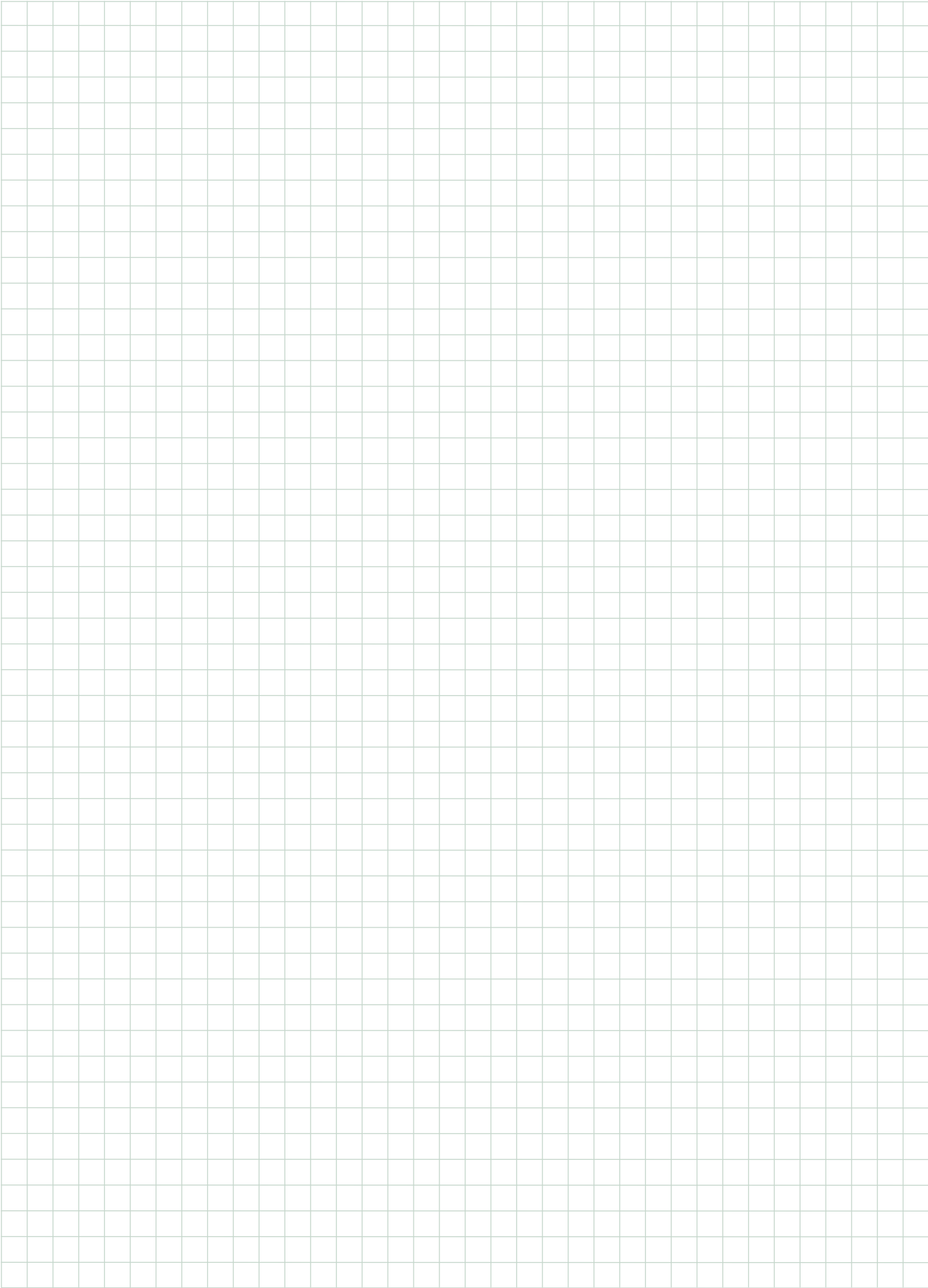
Specifications and illustrations as well as descriptions and packing units are non-binding. They are purely informational and no legal obligation may be derived from them.

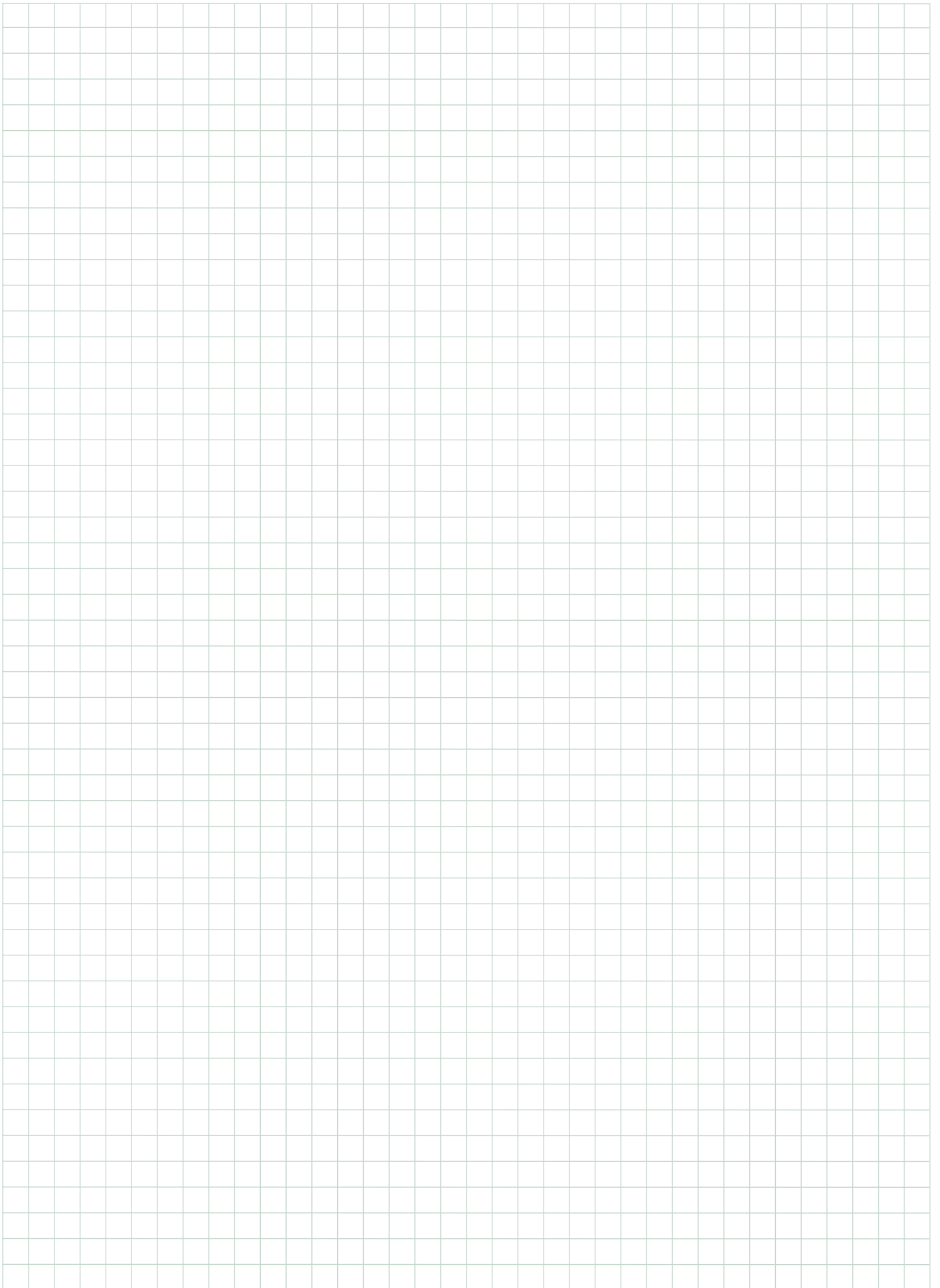
We reserve the right to make technical and formal changes in the interest of further technical development or that are necessary for financial reasons. Alterations and additions are made continuously.

We assume no liability for any printing errors or divergent illustrations. In the event of erroneous size information, the figures at the start of printing will no longer apply.

Conversion table inch/millimetre

inch fractional value	mm metric	inch fractional value	mm metric
1/8"	3,175 mm	1 3/4"	44,450 mm
1/4"	6,350 mm	2"	50,800 mm
3/8"	9,525 mm	2 1/4"	57,150 mm
1/2"	12,700 mm	2 1/2"	63,500 mm
5/8"	15,875 mm	2 3/4"	69,850 mm
3/4"	19,050 mm	3"	76,200 mm
7/8"	22,225 mm	3 1/4"	82,550 mm
1"	25,400 mm	3 1/2"	88,900 mm
1 1/4"	31,750 mm	3 3/4"	95,250 mm
1 1/2"	38,100 mm	4"	101,600 mm







We keep an eye on our qualities:

Both our quality and environmental management system have been certified on the standard basis DIN EN 9001 (Nov. 2015) and DIN EN 14001 (Nov. 2015). We face the challenge to guarantee highest qualities for our products and services. All raw materials and external products are checked for quality and suitability. Our own products are tested on a random basis during the production processes, final leaking and material tests are performed.

Our products meet several requirements, such as DVGW, SVGW, KTW, noise class tests (PA-Nr.), ACS and are also complying with binding DIN standards in respect to dimensions or noise behaviour.

With regard to the brass alloy **puteus** valves, fittings and the seals we use are in full compliance with the amended requirements of the drinking water ordinance. Long before the reference date in April 2017 we made sure that the regulations of the valuation basis of the Federal Environmental Agency (UBA) were implemented. These regulations apply to metallic materials which may get in contact with drinking water. They also include the list of materials that are in accordance with the drinking water hygiene (known as the "UBA Positive List"). On the basis of these standards our quality management has also been certified for the process to comply with the nickel values for valves, fittings and other components in drinking water under the terms of the drinking water regulations and recommendations of the Federal Environmental Agency.

Therefore we can ensure a high product quality for our customers because of our high quality awareness.



Disclaimer:
 puteus GmbH | Lenenweg 6 | 47918 Tönisvorst
 Domizil Tönisvorst | AG Krefeld | HRB 9505 | UST-IDNR. DE 120 581 001 | ILN 40 12167 00000 3
 CEO: Hans de Gruyter | Peter de Gruyter
 © 2023

Our packaging and labelling proposals

Four-colour cartons – version 1 –

with Euro-standard-holes, colour prints and product descriptions on the front-side, pictographs and installation dimensions on the back, top and bottom. Items that are available in carton packaging can be found in our catalogue. The item numbers are marked with an additional “-K”.



Four-colour cartons – version 2 –

Promotional four-colour cartons with product photos and descriptions.



Labels with EAN-barcodes

Nearly all articles can be labelled with EAN-codes. The self-adhesive and tear-resistant labels contain a product description, barcode and EAN-code.

The complete EAN-code consists of:

4012167 + item-no. + verification digit
(without “-E” or other extensions).



Self-service cards

These cards can be used for certain products of the irrigation sector. The cards are printed with article descriptions, sizes and EAN-codes.



Polybags

We offer customized polybags for single products. Each polybag can be printed according to your wishes.



Note: All information is subject to possible printing errors or changes in design or construction. Reprinting and photomechanical reproduction- also including excerpts - only with the authorization of puteus GmbH, Lenenweg 6, D-47918 Tönisvorst.



Other catalogs to our range:



1 Appliance connection fittings



2 Sanitary fittings, kitchen + bathroom



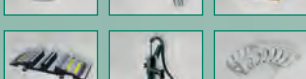
3 Garden fittings + valves



4 Fittings



5 Ball valves + heating valves



6 Hand pumps, hoses + accessories



Eine starke Gruppe

puteus GmbH

Lenenweg 6 · D-47918 Tönisvorst

Tel.: +49 2151 9952-0

Fax: +49 2151 9952-99

E-mail: info@puteus.de · www.puteus.de